

TECHNICAL SPECIFICATIONS N-GRAVITY 4



TECHNICAL DATA

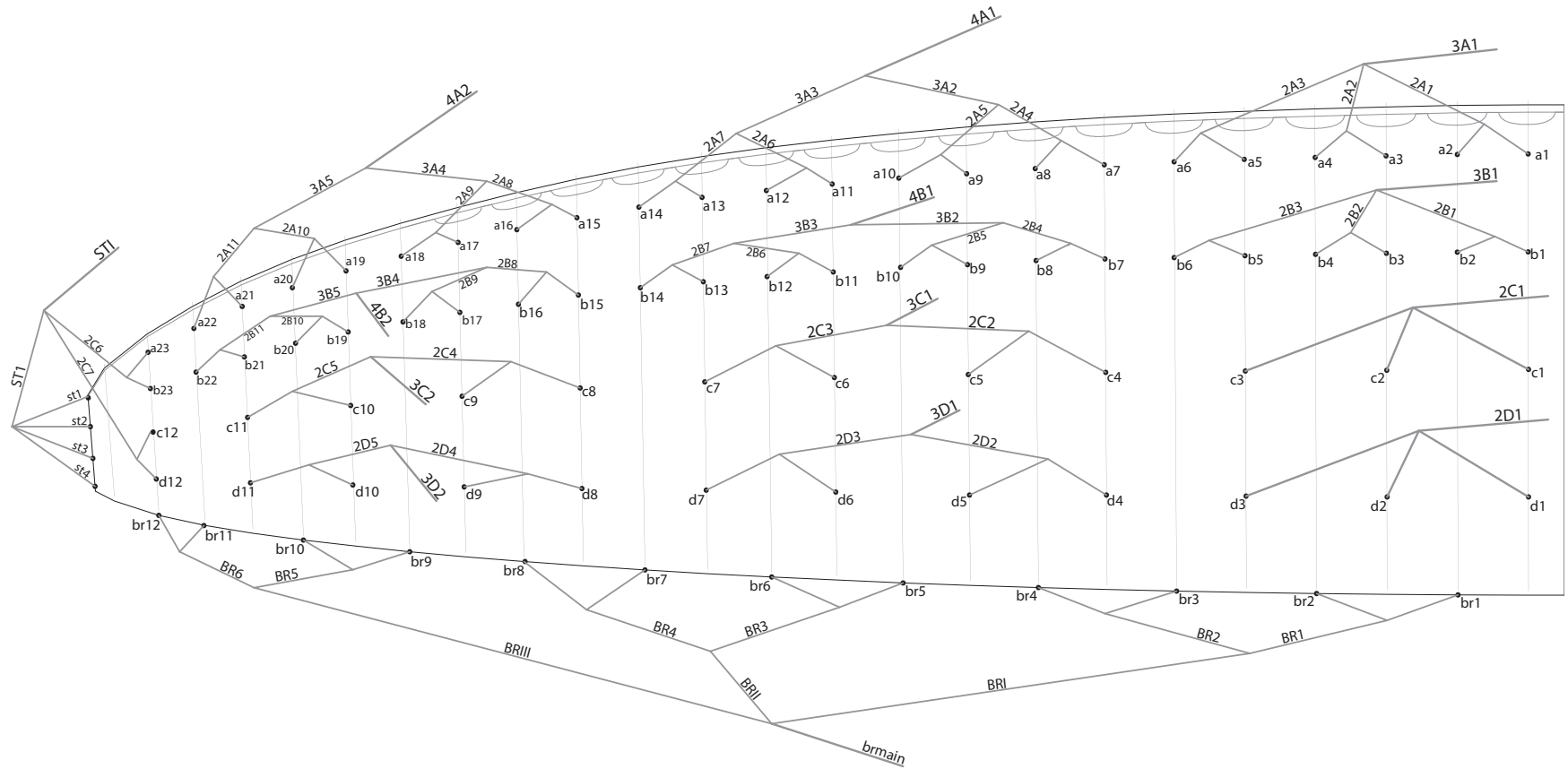
N-GRAVITY 4			16	17	18	19
CELLS	NUMBER		49	49	49	49
	CLOSED		14	14	14	14
	BOX		47	47	47	47
FLAT	AREA	m ²	16	17	18	19
	SPAN	m	9,47	9,76	10	10,32
	ASPECT RATIO		5,6	5,6	5,6	5,6
PROJECTED	AREA	m ²	13,78	14,64	15,5	16,4
	SPAN	m	7,73	7,97	8,2	8,43
	ASPECT RATIO		4,34	4,34	4,34	4,34
FLATTENING		%	14%	14%	14%	14%
CORD	MAXIMUM	m	2,07	2,13	2,2	2,26
	MINIMUM	m	0,41	0,42	0,43	0,44
	AVERAGE	m	1,69	1,74	1,80	1,84
LINES	TOTAL METERS	m	318,5	328	339	348
	HEIGHT	m	6,9	7,14	7,34	7,55
	NUMBER		300	300	300	300
	MAIN		3/3/4/3	3/3/4/3	3/3/4/3	3/3/4/3
RISERS	NUMBER	4	A/B/C/D	A/B/C/D	A/B/C/D	A/B/C/D
	TRIMS	m/m	NO	NO	NO	NO
	ACCELERATOR	m/m	150	150	150	150
INTERMEDIATE WEIGHT	MINIMUM	kg	60	70	80	95
IN FLIGHT	MAXIMUM	kg	90	100	110	120
GLIDER WEIGHT		kg	4,9	5,1	5,3	5,6
CERTIFICATION		EN	926-1	926-1	926-1	926-1

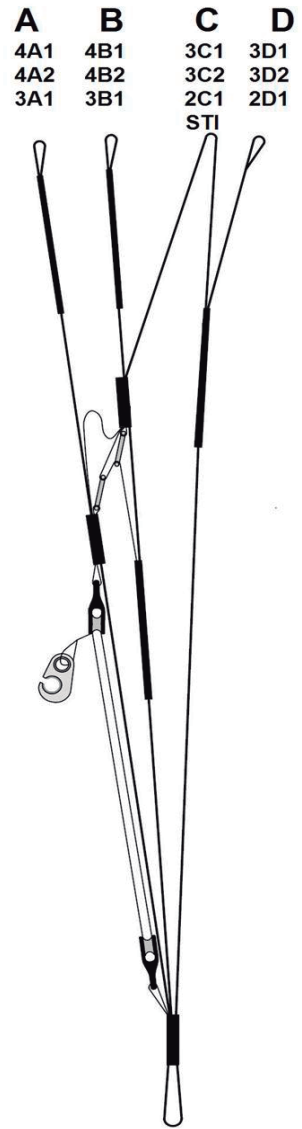
MATERIALS TECHNICAL DATA

CANOPY	FABRIC CODE	SUPPLIER
UPPER SURFACE	9017 E25	PORCHER IND (FRANCE)
BOTTOM SURFACE	N20 DMF	DOMINICO TEX CO (KOREA)
RIBS	9017-E29	PORCHER IND (FRANCE)
DIAGONALS	9017-E29	PORCHER IND (FRANCE)
LOOPS	LKI - 10	KOLON IND. (KOREA)
REINFORCEMENT LOOPS	W-420	D-P (GERMANY)
TRAILING EDGE REINFORCEMENT	MYLAR	D-P (GERMANY)
RIB REINFORCEMENT	LTN-0.8 STICK	SPORTWARE CO. (CHINA)
THREAD	SERAFIL 60	AMAN (GERMANY)

SUSPENSION LINES	FABRIC CODE	SUPPLIER
UPPER CASCADES	DC - 60	LIROS GMHB (GERMANY)
UPPER CASCADES	A-8000/U-070	EDELRID (GERMANY)
MIDDLE CASCADES	A-8000/U-070	EDELRID (GERMANY)
MIDDLE CASCADES	A-8000/U-090	EDELRID (GERMANY)
MIDDLE CASCADES	A-8000/U-130	EDELRID (GERMANY)
MIDDLE CASCADES	A-8000/U-190	EDELRID (GERMANY)
MAIN	A-8000/U-130	EDELRID (GERMANY)
MAIN	A-8000/U-190	EDELRID (GERMANY)
MAIN	A-8000/U-230	EDELRID (GERMANY)
MAIN	A-8000/U-360	EDELRID (GERMANY)
MAIN BREAK	TNL - 400	TEIJIM LIMITED (JAPAN)
THREAD	SERAFIL 60	AMAN (GERMANY)

RISERS	FABRIC CODE	SUPPLIER
MATERIAL	G-R 22	TECNI SANGLES (FRANCE)
COLOUR INDICATOR	PAD	TECNI SANGLES (FRANCE)
THREAD	V138	COATS (UK)
MAILLONS	MRI4	ANSUNG PRECISION (KOREA)
PULLEYS	PY - 1304-2	ANSUNG PRECISION (KOREA)



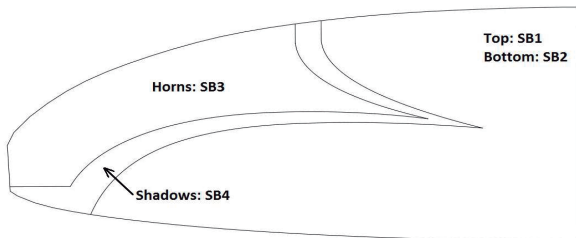


COLOURS TECHNICAL DATA

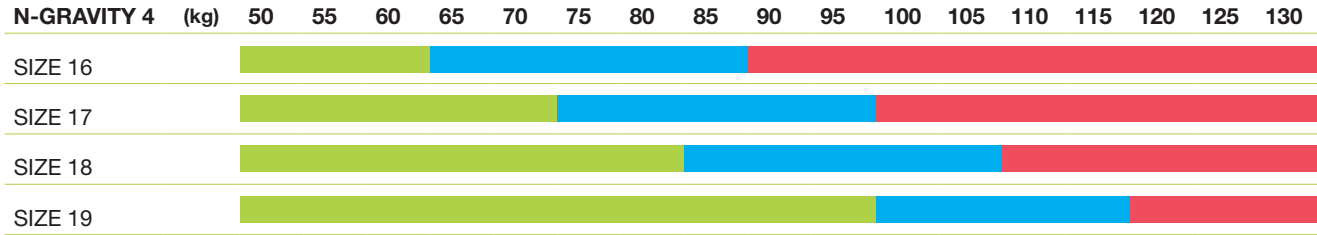
EMERALD	SB1	LIMA	TOP	REF: NK259
	SB2	LIMA	BOTTOM	REF: NK375
	SB3	ROYAL BLUE	HORN	REF: 317
	SB4	BLACK	SHADOW	REF: 102



RIVER	SB1	ROYAL BLUE	TOP	REF: 317
	SB2	WHITE	BOTTOM	REF: 001
	SB3	BLACK	HORN	REF: 102
	SB4	WHITE	SHADOW	REF: 001



LEVEL RANGE



LEVEL **SMOOTH** **INTERMEDIATE** **POWERFUL**

LINES TECHNICAL DATA

N-GRAVITY 4

16

REF.	MAT.	kg	COLOUR	m/m	REF.	MAT.	kg	COLOUR	m/m	REF.	MAT.	kg	COLOUR	m/m	REF.	MAT.	kg	COLOUR	m/m	REF.	MAT.	kg	COLOUR	m/m
A					B					C					D					BRAKE				
a1	DC	60	WHT	441	b1	DC	60	WHT	438	c1	8000/U	90	NATURAL	1.500	d1	8000/U	70	NATURAL	1.347	br1	DC	60	WHT	814
a2	DC	60	WHT	398	b2	DC	60	WHT	395	c2	8000/U	90	NATURAL	1.416	d2	8000/U	70	NATURAL	1.255	br2	DC	60	WHT	647
a3	DC	60	WHT	435	b3	DC	60	WHT	431	c3	8000/U	90	NATURAL	1.427	d3	8000/U	70	NATURAL	1.277	br3	DC	60	WHT	753
a4	DC	60	WHT	415	b4	DC	60	WHT	412	c4	8000/U	90	NATURAL	867	d4	8000/U	70	NATURAL	749	br4	DC	60	WHT	746
a5	DC	60	WHT	419	b5	DC	60	WHT	416	c5	8000/U	70	NATURAL	736	d5	8000/U	70	NATURAL	595	br5	DC	60	WHT	745
a6	DC	60	WHT	426	b6	DC	60	WHT	423	c6	8000/U	70	NATURAL	734	d6	8000/U	70	NATURAL	593	br6	DC	60	WHT	604
a7	DC	60	WHT	429	b7	DC	60	WHT	425	c7	8000/U	70	NATURAL	761	d7	8000/U	70	NATURAL	646	br7	DC	60	WHT	644
a8	DC	60	WHT	346	b8	DC	60	WHT	343	c8	8000/U	70	NATURAL	645	d8	8000/U	70	NATURAL	585	br8	DC	60	WHT	650
a9	DC	60	WHT	416	b9	DC	60	WHT	412	c9	8000/U	70	NATURAL	518	d9	8000/U	70	NATURAL	443	br9	DC	60	WHT	682
a10	DC	60	WHT	397	b10	DC	60	WHT	394	c10	8000/U	70	NATURAL	533	d10	8000/U	70	NATURAL	466	br10	DC	60	WHT	577
a11	DC	60	WHT	409	b11	DC	60	WHT	405	c11	8000/U	70	NATURAL	543	d11	8000/U	70	NATURAL	484	br11	DC	60	WHT	279
a12	DC	60	WHT	375	b12	DC	60	WHT	372	c12	8000/U	70	NATURAL	437	d12	8000/U	70	NATURAL	482	br12	DC	60	WHT	275
a13	DC	60	WHT	360	b13	DC	60	WHT	358	st3	8000/U	70	NATURAL	1.015	st4	8000/U	70	NATURAL	1.040					
a14	DC	60	WHT	394	b14	DC	60	WHT	392															
a15	DC	60	WHT	377	b15	DC	60	WHT	371															
a16	DC	60	WHT	295	b16	DC	60	WHT	292															
a17	DC	60	WHT	351	b17	DC	60	WHT	347															
a18	DC	60	WHT	331	b18	DC	60	WHT	328															
a19	DC	60	WHT	332	b19	DC	60	WHT	327															
a20	DC	60	WHT	294	b20	DC	60	WHT	291															
a21	DC	60	WHT	293	b21	DC	60	WHT	289															
a22	DC	60	WHT	315	b22	DC	60	WHT	306															
a23	DC	60	WHT	373	b23	DC	60	WHT	353															
st1	8000/U	70	NATURAL	1006	st2	8000/U	70	NATURAL	1.002															
2A1	8000/U	130	NATURAL	1742	2B1	8000/U	130	NATURAL	1.728	2C2	8000/U	130	NATURAL	777	2D2	8000/U	130	NATURAL	643	BR1	8000/U	70	NATURAL	1.176
2A2	8000/U	130	NATURAL	1672	2B2	8000/U	130	NATURAL	1.659	2C3	8000/U	130	NATURAL	719	2D3	8000/U	130	NATURAL	584	BR2	8000/U	70	NATURAL	959
2A3	8000/U	130	NATURAL	1661	2B3	8000/U	130	NATURAL	1.649	2C4	8000/U	130	NATURAL	623	2D4	8000/U	90	NATURAL	576	BR3	8000/U	70	NATURAL	976
2A4	8000/U	130	NATURAL	711	2B4	8000/U	130	NATURAL	705	2C5	8000/U	90	NATURAL	538	2D5	8000/U	90	NATURAL	476	BR4	8000/U	70	NATURAL	853
2A5	8000/U	130	NATURAL	584	2B5	8000/U	130	NATURAL	580	2C6	8000/U	90	NATURAL	1.242						BR5	8000/U	70	NATURAL	504
2A6	8000/U	130	NATURAL	596	2B6	8000/U	130	natural	592	2C7	8000/U	90	NATURAL	1.176						BR6	8000/U	70	NATURAL	737
2A7	8000/U	130	NATURAL	609	2B7	8000/U	130	NATURAL	605	ST1	8000/U	70	NATURAL	544										
2A8	8000/U	90	NATURAL	570	2B8	8000/U	90	NATURAL	561															
2A9	8000/U	90	NATURAL	455	2B9	8000/U	90	NATURAL	451															
2A10	8000/U	90	NATURAL	479	2B10	8000/U	90	NATURAL	475															
2A11	8000/U	90	NATURAL	466	2B11	8000/U	90	NATURAL	463															
3A2	8000/U	190	NATURAL	1012	3B2	8000/U	190	NATURAL	1.004											BRI	8000/U	130	NATURAL	3.401
3A3	8000/U	190	NATURAL	952	3B3	8000/U	190	NATURAL	946											BRII	8000/U	130	NATURAL	3.239
3A4	8000/U	130	NATURAL	825	3B4	8000/U	130	NATURAL	816											BRIII	8000/U	130	NATURAL	3.403
3A5	8000/U	130	NATURAL	751	3B5	8000/U	130	NATURAL	745															
3A1	8000/U	360	NATURAL	4202	3B1	8000/U	360	NATURAL	4.177	2C1	8000/U	230	NATURAL	4.889	2D1	8000/U	230	natural	5.155	brmain	TNL	400	RED	1.600
4A1	8000/U	360	NATURAL	4151	4B1	8000/U	360	NATURAL	4.129	3C1	8000/U	230	NATURAL	4.658	3D1	8000/U	190	natural	5.041	Point a:				1.400
4A2	8000/U	230	NATURAL	4241	4B2	8000/U	230	NATURAL	4.232	3C2	8000/U	230	NATURAL	4.738	3D2	8000/U	130	natural	4.937					
										STI	8000/U	130	NATURAL	3.949										

LINES TECHNICAL DATA

N-GRAVITY 4

17

REF.	MAT.	kg	COLOUR	m/m	REF.	MAT.	kg	COLOUR	m/m	REF.	MAT.	kg	COLOUR	m/m	REF.	MAT.	kg	COLOUR	m/m	REF.	MAT.	kg	COLOUR	m/m	
A					B					C					D						BRAKE				
a1	DC	60	WHT	455	b1	DC	60	WHT	451	c1	8000/U	90	NATURAL	1.546	d1	8000/U	70	NATURAL	1.388	br1	DC	60	WHT	839	
a2	DC	60	WHT	411	b2	DC	60	WHT	407	c2	8000/U	90	NATURAL	1.460	d2	8000/U	70	NATURAL	1.294	br2	DC	60	WHT	669	
a3	DC	60	WHT	448	b3	DC	60	WHT	444	c3	8000/U	90	NATURAL	1.472	d3	8000/U	70	NATURAL	1.317	br3	DC	60	WHT	775	
a4	DC	60	WHT	428	b4	DC	60	WHT	425	c4	8000/U	90	NATURAL	894	d4	8000/U	70	NATURAL	772	br4	DC	60	WHT	770	
a5	DC	60	WHT	432	b5	DC	60	WHT	429	c5	8000/U	70	NATURAL	759	d5	8000/U	70	NATURAL	614	br5	DC	60	WHT	768	
a6	DC	60	WHT	439	b6	DC	60	WHT	436	c6	8000/U	70	NATURAL	757	d6	8000/U	70	NATURAL	612	br6	DC	60	WHT	623	
a7	DC	60	WHT	443	b7	DC	60	WHT	439	c7	8000/U	70	NATURAL	785	d7	8000/U	70	NATURAL	666	br7	DC	60	WHT	664	
a8	DC	60	WHT	357	b8	DC	60	WHT	354	c8	8000/U	70	NATURAL	664	d8	8000/U	70	NATURAL	603	br8	DC	60	WHT	671	
a9	DC	60	WHT	428	b9	DC	60	WHT	425	c9	8000/U	70	NATURAL	534	d9	8000/U	70	NATURAL	457	br9	DC	60	WHT	703	
a10	DC	60	WHT	409	b10	DC	60	WHT	407	c10	8000/U	70	NATURAL	549	d10	8000/U	70	NATURAL	480	br10	DC	60	WHT	593	
a11	DC	60	WHT	421	b11	DC	60	WHT	418	c11	8000/U	70	NATURAL	560	d11	8000/U	70	NATURAL	499	br11	DC	60	WHT	288	
a12	DC	60	WHT	387	b12	DC	60	WHT	384	c12	8000/U	70	NATURAL	450	d12	8000/U	70	NATURAL	497	br12	DC	60	WHT	283	
a13	DC	60	WHT	371	b13	DC	60	WHT	369	st3	8000/U	70	NATURAL	1.046	st4	8000/U	70	NATURAL	1.072						
a14	DC	60	WHT	406	b14	DC	60	WHT	404																
a15	DC	60	WHT	389	b15	DC	60	WHT	382																
a16	DC	60	WHT	304	b16	DC	60	WHT	301																
a17	DC	60	WHT	362	b17	DC	60	WHT	358																
a18	DC	60	WHT	341	b18	DC	60	WHT	338																
a19	DC	60	WHT	342	b19	DC	60	WHT	337																
a20	DC	60	WHT	303	b20	DC	60	WHT	300																
a21	DC	60	WHT	302	b21	DC	60	WHT	298																
a22	DC	60	WHT	325	b22	DC	60	WHT	315																
a23	DC	60	WHT	384	b23	DC	60	WHT	364																
st1	8000/U	70	NATURAL	1037	st2	8000/U	70	NATURAL	1.033																
2A1	8000/U	130	NATURAL	1795	2B1	8000/U	130	NATURAL	1.781	2C2	8000/U	130	NATURAL	801	2D2	8000/U	130	NATURAL	663	BR1	8000/U	70	NATURAL	1.211	
2A2	8000/U	130	NATURAL	1724	2B2	8000/U	130	NATURAL	1.710	2C3	8000/U	130	NATURAL	742	2D3	8000/U	130	NATURAL	603	BR2	8000/U	70	NATURAL	992	
2A3	8000/U	130	NATURAL	1713	2B3	8000/U	130	NATURAL	1.700	2C4	8000/U	130	NATURAL	642	2D4	8000/U	90	NATURAL	594	BR3	8000/U	70	NATURAL	1.006	
2A4	8000/U	130	NATURAL	733	2B4	8000/U	130	NATURAL	726	2C5	8000/U	90	NATURAL	554	2D5	8000/U	90	NATURAL	491	BR4	8000/U	70	NATURAL	880	
2A5	8000/U	130	NATURAL	602	2B5	8000/U	130	NATURAL	598	2C6	8000/U	90	NATURAL	1.280							BR5	8000/U	70	NATURAL	520
2A6	8000/U	130	NATURAL	615	2B6	8000/U	130	natural	610	2C7	8000/U	90	NATURAL	1.212							BR6	8000/U	70	NATURAL	759
2A7	8000/U	130	NATURAL	629	2B7	8000/U	130	NATURAL	624	ST1	8000/U	70	NATURAL	561											
2A8	8000/U	90	NATURAL	588	2B8	8000/U	90	NATURAL	579																
2A9	8000/U	90	NATURAL	469	2B9	8000/U	90	NATURAL	465																
2A10	8000/U	90	NATURAL	494	2B10	8000/U	90	NATURAL	489																
2A11	8000/U	90	NATURAL	480	2B11	8000/U	90	NATURAL	477																
3A2	8000/U	190	NATURAL	1043	3B2	8000/U	190	NATURAL	1.035												BRI	8000/U	130	NATURAL	3.561
3A3	8000/U	190	NATURAL	982	3B3	8000/U	190	NATURAL	976												BRII	8000/U	130	NATURAL	3.401
3A4	8000/U	130	NATURAL	851	3B4	8000/U	130	NATURAL	841												BRIII	8000/U	130	NATURAL	3.569
3A5	8000/U	130	NATURAL	774	3B5	8000/U	130	NATURAL	769																
3A1	8000/U	360	NATURAL	4346	3B1	8000/U	360	NATURAL	4.320	2C1	8000/U	230	NATURAL	5.054	2D1	8000/U	230	natural	5.329	brmain	TNL	400	RED	1.600	
4A1	8000/U	360	NATURAL	4296	4B1	8000/U	360	NATURAL	4.274	3C1	8000/U	230	NATURAL	4.818	3D1	8000/U	190	natural	5.213		Point a:			1.400	
4A2	8000/U	230	NATURAL	4390	4B2	8000/U	230	NATURAL	4.381	3C2	8000/U	230	NATURAL	4.902	3D2	8000/U	130	natural	5.107						
										STI	8000/U	130	NATURAL	4.089											

LINES TECHNICAL DATA

N-GRAVITY 4

18

REF.	MAT.	kg	COLOUR	m/m	REF.	MAT.	kg	COLOUR	m/m	REF.	MAT.	kg	COLOUR	m/m	REF.	MAT.	kg	COLOUR	m/m	REF.	MAT.	kg	COLOUR	m/m
A					B					C					D									BRAKE
a1	DC	60	WHT	468	b1	DC	60	WHT	464	c1	8000/U	90	NATURAL	1.590	d1	8000/U	70	NATURAL	1.428	br1	DC	60	WHT	863
a2	DC	60	WHT	423	b2	DC	60	WHT	419	c2	8000/U	90	NATURAL	1.503	d2	8000/U	70	NATURAL	1.331	br2	DC	60	WHT	690
a3	DC	60	WHT	461	b3	DC	60	WHT	457	c3	8000/U	90	NATURAL	1.516	d3	8000/U	70	NATURAL	1.356	br3	DC	60	WHT	797
a4	DC	60	WHT	441	b4	DC	60	WHT	438	c4	8000/U	90	NATURAL	919	d4	8000/U	70	NATURAL	794	br4	DC	60	WHT	793
a5	DC	60	WHT	444	b5	DC	60	WHT	441	c5	8000/U	70	NATURAL	781	d5	8000/U	70	NATURAL	632	br5	DC	60	WHT	790
a6	DC	60	WHT	452	b6	DC	60	WHT	449	c6	8000/U	70	NATURAL	779	d6	8000/U	70	NATURAL	630	br6	DC	60	WHT	642
a7	DC	60	WHT	455	b7	DC	60	WHT	451	c7	8000/U	70	NATURAL	808	d7	8000/U	70	NATURAL	686	br7	DC	60	WHT	683
a8	DC	60	WHT	367	b8	DC	60	WHT	365	c8	8000/U	70	NATURAL	684	d8	8000/U	70	NATURAL	620	br8	DC	60	WHT	690
a9	DC	60	WHT	441	b9	DC	60	WHT	437	c9	8000/U	70	NATURAL	549	d9	8000/U	70	NATURAL	471	br9	DC	60	WHT	723
a10	DC	60	WHT	421	b10	DC	60	WHT	419	c10	8000/U	70	NATURAL	565	d10	8000/U	70	NATURAL	494	br10	DC	60	WHT	610
a11	DC	60	WHT	433	b11	DC	60	WHT	430	c11	8000/U	70	NATURAL	576	d11	8000/U	70	NATURAL	514	br11	DC	60	WHT	297
a12	DC	60	WHT	398	b12	DC	60	WHT	395	c12	8000/U	70	NATURAL	463	d12	8000/U	70	NATURAL	512	br12	DC	60	WHT	291
a13	DC	60	WHT	382	b13	DC	60	WHT	380	st3	8000/U	70	NATURAL	1.077	st4	8000/U	70	NATURAL	1.104					
a14	DC	60	WHT	418	b14	DC	60	WHT	415															
a15	DC	60	WHT	400	b15	DC	60	WHT	394															
a16	DC	60	WHT	313	b16	DC	60	WHT	310															
a17	DC	60	WHT	373	b17	DC	60	WHT	368															
a18	DC	60	WHT	351	b18	DC	60	WHT	348															
a19	DC	60	WHT	352	b19	DC	60	WHT	346															
a20	DC	60	WHT	312	b20	DC	60	WHT	309															
a21	DC	60	WHT	311	b21	DC	60	WHT	307															
a22	DC	60	WHT	334	b22	DC	60	WHT	324															
a23	DC	60	WHT	395	b23	DC	60	WHT	375															
st1	8000/U	70	NATURAL	1068	st2	8000/U	70	NATURAL	1.063															
2A1	8000/U	130	NATURAL	1847	2B1	8000/U	130	NATURAL	1.832	2C2	8000/U	130	NATURAL	824	2D2	8000/U	130	NATURAL	682	BR1	8000/U	70	NATURAL	1.244
2A2	8000/U	130	NATURAL	1774	2B2	8000/U	130	NATURAL	1.760	2C3	8000/U	130	NATURAL	763	2D3	8000/U	130	NATURAL	620	BR2	8000/U	70	NATURAL	1.024
2A3	8000/U	130	NATURAL	1763	2B3	8000/U	130	NATURAL	1.750	2C4	8000/U	130	NATURAL	661	2D4	8000/U	90	NATURAL	611	BR3	8000/U	70	NATURAL	1.035
2A4	8000/U	130	NATURAL	753	2B4	8000/U	130	NATURAL	747	2C5	8000/U	90	NATURAL	571	2D5	8000/U	90	NATURAL	505	BR4	8000/U	70	NATURAL	906
2A5	8000/U	130	NATURAL	620	2B5	8000/U	130	NATURAL	615	2C6	8000/U	90	NATURAL	1.317						BR5	8000/U	70	NATURAL	536
2A6	8000/U	130	NATURAL	633	2B6	8000/U	130	natural	628	2C7	8000/U	90	NATURAL	1.247						BR6	8000/U	70	NATURAL	780
2A7	8000/U	130	NATURAL	647	2B7	8000/U	130	NATURAL	643	ST1	8000/U	70	NATURAL	577										
2A8	8000/U	90	NATURAL	605	2B8	8000/U	90	NATURAL	595															
2A9	8000/U	90	NATURAL	483	2B9	8000/U	90	NATURAL	478															
2A10	8000/U	90	NATURAL	508	2B10	8000/U	90	NATURAL	504															
2A11	8000/U	90	NATURAL	495	2B11	8000/U	90	NATURAL	491															
3A2	8000/U	190	NATURAL	1073	3B2	8000/U	190	NATURAL	1.065											BR1	8000/U	130	NATURAL	3.717
3A3	8000/U	190	NATURAL	1011	3B3	8000/U	190	NATURAL	1.004											BR11	8000/U	130	NATURAL	3.558
3A4	8000/U	130	NATURAL	876	3B4	8000/U	130	NATURAL	865											BR111	8000/U	130	NATURAL	3.729
3A5	8000/U	130	NATURAL	797	3B5	8000/U	130	NATURAL	791															
3A1	8000/U	360	NATURAL	4487	3B1	8000/U	360	NATURAL	4.460	2C1	8000/U	230	NATURAL	5.215	2D1	8000/U	230	natural	5.498	brmain	TNL	400	RED	1.600
4A1	8000/U	360	NATURAL	4436	4B1	8000/U	360	NATURAL	4.414	3C1	8000/U	230	NATURAL	4.974	3D1	8000/U	190	natural	5.381	Point a:				1.400
4A2	8000/U	230	NATURAL	4535	4B2	8000/U	230	NATURAL	4.525	3C2	8000/U	230	NATURAL	5.062	3D2	8000/U	130	natural	5.272					
										ST1	8000/U	130	NATURAL	4.225										

LINES TECHNICAL DATA

N-GRAVITY 4

19

REF.	MAT.	kg	COLOUR	m/m	REF.	MAT.	kg	COLOUR	m/m	REF.	MAT.	kg	COLOUR	m/m	REF.	MAT.	kg	COLOUR	m/m	REF.	MAT.	kg	COLOUR	m/m
A					B					C					D									BRAKE
a1	DC	60	WHT	487	b1	DC	60	WHT	483	c1	8000/U	90	NATURAL	1.654	d1	8000/U	70	NATURAL	1.485	br1	DC	60	WHT	899
a2	DC	60	WHT	440	b2	DC	60	WHT	437	c2	8000/U	90	NATURAL	1.564	d2	8000/U	70	NATURAL	1.386	br2	DC	60	WHT	721
a3	DC	60	WHT	479	b3	DC	60	WHT	476	c3	8000/U	90	NATURAL	1.579	d3	8000/U	70	NATURAL	1.412	br3	DC	60	WHT	828
a4	DC	60	WHT	459	b4	DC	60	WHT	456	c4	8000/U	90	NATURAL	957	d4	8000/U	70	NATURAL	826	br4	DC	60	WHT	827
a5	DC	60	WHT	462	b5	DC	60	WHT	459	c5	8000/U	70	NATURAL	813	d5	8000/U	70	NATURAL	658	br5	DC	60	WHT	823
a6	DC	60	WHT	471	b6	DC	60	WHT	468	c6	8000/U	70	NATURAL	811	d6	8000/U	70	NATURAL	655	br6	DC	60	WHT	668
a7	DC	60	WHT	474	b7	DC	60	WHT	470	c7	8000/U	70	NATURAL	842	d7	8000/U	70	NATURAL	715	br7	DC	60	WHT	711
a8	DC	60	WHT	383	b8	DC	60	WHT	380	c8	8000/U	70	NATURAL	712	d8	8000/U	70	NATURAL	645	br8	DC	60	WHT	718
a9	DC	60	WHT	459	b9	DC	60	WHT	455	c9	8000/U	70	NATURAL	572	d9	8000/U	70	NATURAL	490	br9	DC	60	WHT	753
a10	DC	60	WHT	439	b10	DC	60	WHT	436	c10	8000/U	70	NATURAL	588	d10	8000/U	70	NATURAL	514	br10	DC	60	WHT	634
a11	DC	60	WHT	451	b11	DC	60	WHT	447	c11	8000/U	70	NATURAL	600	d11	8000/U	70	NATURAL	535	br11	DC	60	WHT	309
a12	DC	60	WHT	414	b12	DC	60	WHT	411	c12	8000/U	70	NATURAL	482	d12	8000/U	70	NATURAL	533	br12	DC	60	WHT	303
a13	DC	60	WHT	397	b13	DC	60	WHT	395	st3	8000/U	70	NATURAL	1.121	st4	8000/U	70	NATURAL	1.149					
a14	DC	60	WHT	435	b14	DC	60	WHT	432															
a15	DC	60	WHT	417	b15	DC	60	WHT	410															
a16	DC	60	WHT	326	b16	DC	60	WHT	323															
a17	DC	60	WHT	388	b17	DC	60	WHT	383															
a18	DC	60	WHT	365	b18	DC	60	WHT	362															
a19	DC	60	WHT	366	b19	DC	60	WHT	361															
a20	DC	60	WHT	325	b20	DC	60	WHT	322															
a21	DC	60	WHT	324	b21	DC	60	WHT	319															
a22	DC	60	WHT	348	b22	DC	60	WHT	338															
a23	DC	60	WHT	412	b23	DC	60	WHT	390															
st1	8000/U	70	NATURAL	1111	st2	8000/U	70	NATURAL	1.107															
2A1	8000/U	130	NATURAL	1922	2B1	8000/U	130	NATURAL	1.906	2C2	8000/U	130	NATURAL	858	2D2	8000/U	130	NATURAL	709	BR1	8000/U	70	NATURAL	1.293
2A2	8000/U	130	NATURAL	1846	2B2	8000/U	130	NATURAL	1.832	2C3	8000/U	130	NATURAL	795	2D3	8000/U	130	NATURAL	646	BR2	8000/U	70	NATURAL	1.071
2A3	8000/U	130	NATURAL	1837	2B3	8000/U	130	NATURAL	1.823	2C4	8000/U	130	NATURAL	688	2D4	8000/U	90	NATURAL	636	BR3	8000/U	70	NATURAL	1.077
2A4	8000/U	130	NATURAL	784	2B4	8000/U	130	NATURAL	777	2C5	8000/U	90	NATURAL	594	2D5	8000/U	90	NATURAL	526	BR4	8000/U	70	NATURAL	944
2A5	8000/U	130	NATURAL	645	2B5	8000/U	130	NATURAL	640	2C6	8000/U	90	NATURAL	1.371						BR5	8000/U	70	NATURAL	559
2A6	8000/U	130	NATURAL	659	2B6	8000/U	130	natural	654	2C7	8000/U	90	NATURAL	1.298						BR6	8000/U	70	NATURAL	810
2A7	8000/U	130	NATURAL	675	2B7	8000/U	130	NATURAL	670	ST1	8000/U	70	NATURAL	600										
2A8	8000/U	90	NATURAL	629	2B8	8000/U	90	NATURAL	619															
2A9	8000/U	90	NATURAL	503	2B9	8000/U	90	NATURAL	498															
2A10	8000/U	90	NATURAL	529	2B10	8000/U	90	NATURAL	524															
2A11	8000/U	90	NATURAL	515	2B11	8000/U	90	NATURAL	511															
3A2	8000/U	190	NATURAL	1117	3B2	8000/U	190	NATURAL	1.108											BR1	8000/U	130	NATURAL	3.943
3A3	8000/U	190	NATURAL	1053	3B3	8000/U	190	NATURAL	1.046											BR11	8000/U	130	NATURAL	3.785
3A4	8000/U	130	NATURAL	911	3B4	8000/U	130	NATURAL	901											BR111	8000/U	130	NATURAL	3.963
3A5	8000/U	130	NATURAL	829	3B5	8000/U	130	NATURAL	823															
3A1	8000/U	360	NATURAL	4690	3B1	8000/U	360	NATURAL	4.663	2C1	8000/U	230	NATURAL	5.448	2D1	8000/U	230	natural	5.743	brmain	TNL	400	RED	1.600
4A1	8000/U	360	NATURAL	4640	4B1	8000/U	360	NATURAL	4.617	3C1	8000/U	230	NATURAL	5.200	3D1	8000/U	190	natural	5.624	Point a:				1.400
4A2	8000/U	230	NATURAL	4744	4B2	8000/U	230	NATURAL	4.735	3C2	8000/U	230	NATURAL	5.293	3D2	8000/U	130	natural	5.512					
										ST1	8000/U	130	NATURAL	4.423										

LINES HEIGHT m/m

	A	B	C	D	br
1	6380	6338	6379	6492	6785
2	6337	6295	6295	6400	6619
3	6303	6262	6306	6422	6508
4	6284	6243	6292	6423	6501
5	6277	6236	6161	6270	6356
6	6283	6243	6101	6209	6215
7	6298	6259	6128	6261	6131
8	6215	6177	5995	6088	6138
9	6158	6120	5869	5947	5984
10	6139	6103	5798	5869	5879
11	6103	6067	5809	5887	5815
12	6069	6034	5557	5602	5810
13	6068	6034	5503	5528	
14	6101	6067			
15	6009	5975			
16	5927	5897			
17	5868	5841			
18	5848	5822			
19	5798	5774			
20	5760	5739			
21	5746	5725			
22	5768	5741			
23	5558	5539			
24	5494	5490			

RISERS LENGTH m/m

	A	B	C	D	
	500	500	500	500	STANDARD
	350	425	462	500	ACCELERATED

LINES HEIGHT m/m

	A	B	C	D	br
1	6592	6548	6590	6707	7006
2	6547	6504	6505	6613	6836
3	6513	6470	6517	6636	6723
4	6493	6451	6503	6638	6718
5	6486	6444	6368	6480	6570
6	6493	6452	6307	6418	6425
7	6509	6469	6335	6472	6339
8	6423	6384	6199	6294	6346
9	6364	6326	6068	6148	6187
10	6345	6308	5996	6068	6077
11	6309	6272	6006	6088	6011
12	6274	6238	5747	5793	6006
13	6273	6238	5691	5717	
14	6307	6272			
15	6213	6178			
16	6128	6097			
17	6068	6039			
18	6046	6020			
19	5995	5970			
20	5956	5934			
21	5942	5920			
22	5965	5937			
23	5749	5729			
24	5682	5678			

RISERS LENGTH m/m

	A	B	C	D	
	500	500	500	500	STANDARD
	350	425	462	500	ACCELERATED

LINES HEIGHT m/m

	A	B	C	D	br
1	6797	6752	6795	6916	7220
2	6751	6707	6708	6819	7047
3	6716	6672	6721	6844	6933
4	6697	6653	6708	6847	6930
5	6689	6646	6569	6684	6778
6	6697	6655	6507	6621	6629
7	6714	6672	6536	6677	6541
8	6626	6585	6396	6494	6548
9	6565	6526	6262	6344	6384
10	6546	6507	6187	6262	6270
11	6508	6470	6199	6282	6201
12	6473	6436	5931	5979	6195
13	6472	6436	5874	5901	
14	6507	6471			
15	6410	6374			
16	6323	6291			
17	6261	6232			
18	6239	6212			
19	6186	6161			
20	6146	6124			
21	6132	6109			
22	6155	6127			
23	5933	5913			
24	5865	5860			

RISERS LENGTH m/m

	A	B	C	D	
	500	500	500	500	STANDARD
	350	425	462	500	ACCELERATED

LINES HEIGHT m/m

	A	B	C	D	br
1	7094	7047	7092	7218	7530
2	7047	7001	7002	7119	7352
3	7011	6965	7017	7145	7237
4	6991	6946	7004	7149	7236
5	6984	6939	6861	6981	7080
6	6992	6948	6796	6915	6925
7	7010	6967	6827	6974	6834
8	6919	6877	6682	6784	6842
9	6856	6816	6543	6628	6669
10	6837	6796	6465	6543	6550
11	6798	6758	6477	6564	6477
12	6761	6723	6198	6249	6471
13	6760	6723	6139	6167	
14	6797	6760			
15	6697	6659			
16	6606	6572			
17	6541	6511			
18	6519	6490			
19	6464	6438			
20	6422	6399			
21	6407	6383			
22	6432	6402			
23	6201	6179			
24	6129	6125			

RISERS LENGTH m/m

	A	B	C	D	
	500	500	500	500	STANDARD
	350	425	462	500	ACCELERATED

SUSPENSION TECHNICAL DATA
N-GRAVITY 4

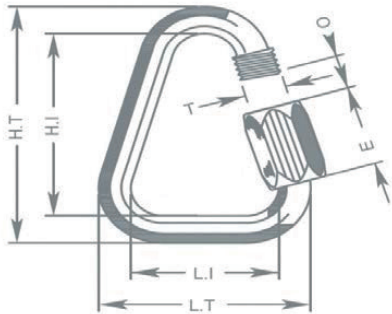
MATERIAL CODE	DC	A-8000/U	8000/U	A-8000/U	A-8000/U	A-8000/U	A-8000/U	A-8000/U	TNL
STRENGTH CODE	060	070	90	130	190	230	360	400	
DIAMETER m/m	Ø	0,6	0,7	0,8	0,9	1,1	1,1 X 1,4	1,4 X 1,9	2,3
CORE MATERIAL	DYNEEMA	ARAMID	ARAMID	ARAMID	ARAMID	ARAMID	ARAMID	ARAMID	TECHNORA
SLEEVE MATERIAL	NO	NO	NO	NO	NO	NO	NO	NO	POLYESTER
WEIGHT g/m	TOTAL	0,24	0,4	0,5	0,8	1,1	1,4	2,1	4
BREAKING STRENGTH	MINIMUM	60	70	90	130	190	230	360	460
	MAXIMUM	84	78	110	144	211	255	380	470
STRENGTH AFTER									
5.000 BENDING CYCLES	TEST EN	74	39	49	88	52	69	196,6	160,1
ELONGATION AT	5 dan en %		0,5	0,4	0,4	0,4	0,3	0,2	0,05
	10 dan en %	0,43	0,7	0,6	0,6	0,6	0,5	0,3	0,1
	15 dan en %		1	0,8	0,8	0,7	0,6	0,4	0,2
	20 dan en %		1,3	1	0,9	0,9	0,7	0,5	0,2
	25 dan en %		1,5	1,3	1	1	0,8	0,6	0,3
	30 dan en %	1,2	2,8	2,3	1,8	1,6	1,3		0,6
	75 dan en %		3,7	3,2	3,1	2,7	2,3	1,5	0,8
	100 dan en %					2,6	3,6	1,9	1,1
	125 dan en %					3,5	3,3		1,4
	150 dan en %					4,3	3,6	2,6	1,7
	175 dan en %								2
	200 dan en %							3,1	2,2
	250 dan en %							3,6	
ELONGATION MAX. BREAKING STRENGTH %		3,2	3,9	4,3	4	4,4	4,4		4,6

MAILLON TECHNICAL DATA

DESCRIPTION

MAILLON	DELTA
CODE	MRI4
MATERIAL	STAINLESS STEEL
SIZE	4,3 m/m
WEIGHT	12 g/piece

TECHNICAL SPECIFICATIONS



DIMENSIONS	m/m
L.T.	28
L.I.	20
H.T.	38
H.I.	30
O	4
E	11
T	4
LOAD	kg
WORKING LIMIT	150
BREAKING	750

MATERIAL

AISI 304 STAINLESS STEEL	STANDARD
--------------------------	----------

CLOSING APPLIED BY MANUAL & ENTIRE SCREWING OF THE NUT TO GUARANTEE THE HIGHEST SAFETY (NO THREAD SHOULD BE OBVIOUS)

SYSTEMATIC CONTROL OF MAILLON QUICK-LINKS BEFORE EVERY FLIGHT

THREAD TECHNICAL DATA**SAIL MAKING**

NAME	SERAFIL
N° OF REFERENCE	60
MATERIAL	POLYESTER
TYPE OF FINISH	SILK
LINEAR DENSITY	NM 61 / 3 (DTEX 163 * 3)
BREAKING STRENGTH	3,000 CN
ELONGATION	17,00%

SERAFIL PROPERTIES

SOLIDITY ARTIFICIAL LIGTH	ISO 105 B02 > 5 - 6
SOLIDITY SWEAT	ISO 105 E04 > 4
SOLIDITY WASHING	ISO 105 C04 > 3
SOLIDITY GRAZE IN DRY	ISO 105 X12 > 4
SOLIDITY WASHING IN DRY	ISO 105 D01 > 3 - 4

TREATMENT WATER REPELLENT	WR
---------------------------	----

RISERS MAKING

NAME	COATS BONDED C.F.P.
N° OF REFERENCE	V138
MATERIAL	POLYESTER
TYPE OF FINISH	SILK
BREAKING STRENGTH	9,5 kg
ELONGATION	19%

RISERS TECHNICAL DATA**RISERS**

N° OF REFERENCE	G-R 22
MATERIAL	POLYESTER
WIDTH	22 m/m
THICKNESS	1,52 m/m
BREAKING STRENGTH	1,100 DAN
ELONGATION	MAX. 15%
WEIGHT	25 g* L.M.
COLOUR	BLACK

COLOUR INDICATOR

N° OF REFERENCE	IC-G 1-2
MATERIAL	POLYESTER
WIDTH	70 m/m
THICKNESS	0,80 m/m
BREAKING STRENGTH	130 DN
ELONGATION	35 %
WEIGHT	32 g* L.M.
COLOUR	GREEN

LOOPS

N° OF REFERENCE	LKI - 10
MATERIAL	NYLON
WIDTH	10 m/m
BREAKING STRENGTH	84 kg
ELONGATION	30 %
WEIGHT	5,5 g/m
COLOUR	WHITE

