

# TECHNICAL SPECIFICATIONS PEAK 3



**TECHNICAL DATA**

<b>PEAK 3</b>			<b>19</b>	<b>21</b>	<b>21 X-ALPS</b>	<b>23</b>	<b>23 X-ALPS</b>	<b>25</b>	<b>25 X-ALPS</b>	<b>27</b>
CELLS	NOMBRE		69	69	69	69	69	69	69	69
	FERMÉS		8	8	8	8	8	8	8	8
	CAISSONS		27	27	27	27	27	27	27	27
FLAT	SURFACE	M <sup>2</sup>	18,70	21	21	23	23	25	25	27
	ENVERGURE	M	11,03	11,68	11,68	12,22	12,22	12,75	12,75	13,25
	ALLONGEMENT		6,5	6,5	6,5	6,5	6,5	6,5	6,5	6,5
PROJECTED	SURFACE	M <sup>2</sup>	15,80	17,75	17,75	19,43	19,43	21,12	21,12	22,81
	ENVERGURE		8,77	9,28	9,28	9,71	9,71	10,14	10,14	10,53
	ALLONGEMENT		4,86	4,86	4,86	4,86	4,86	4,86	4,86	4,86
FLATTENING		%	15%	15%	15%	15%	15%	15%	15%	15%
CORD	MAXIMUM	M	2,08	2,21	2,21	2,31	2,31	2,41	2,41	2,5
	MINIMUM	M	0,43	0,45	0,45	0,47	0,47	0,49	0,49	0,51
	MOYENNE	M	1,69	1,79	1,79	1,88	1,88	1,96	1,96	2,03
LINES	METRES TOTALES	M	172	188	188	193	193	201	201	209
	HAUTEUR	M	6,62	7,01	7,01	7,33	7,33	7,65	7,65	7,95
	NOMBRE		184	184	184	184	184	184	184	184
	PRINCIPALES		3/1/3	3/1/3	3/1/3	3/1/3	3/1/3	3/1/3	3/1/3	3/1/3
RISERS	NOMBRE	3	A/B'/B	A/B'/B	A/B'/B	A/B'/B	A/B'/B	A/B'/B	A/B'/B	A/B'/B
	AFFICHEURS		NO	NO	NO	NO	NO	NO	NO	NO
	ACCELERATEUR	M/M	140	140	140	150	150	150	150	150
TOTAL WEIGHT	MINIMUM	KG	60	70	70	80	80	90	90	105
IN FLIGHT	MAXIMUM	KG	75	85	85	97	97	110	110	125
GLIDER WEIGHT		KG	4,9	5,3	4,2	5,5	5,5	5,7	4,26	5,85
CERTIFICATION	EN / LTF		-	D	D	D	D	D	D	D

**MATERIALS TECHNICAL DATA**

PEAK 3 SERIAL

CANOPY	FABRIC CODE	SUPPLIER
UPPER SURFACE	40 9017 E77	PORCHER IND (FRANCE)
BOTTOM SURFACE	N20DMF	DOMINICO TEX CO (KOREA)
RIBS WITHOUT LINES	9017 E29	PORCHER IND (FRANCE)
RIBS WITH LINES	30DFM	DOMINICO TEX CO (KOREA)
DIAGONALS	30DFM	DOMINICO TEX CO (KOREA)
LOOPS	LKI - 10	KOLON IND. (KOREA)
REINFORCEMENT LOOPS	SOFT DACRON	D-P (GERMANY)
TRAILING EDGE REINFORCEMENT	DACRON	D-P (GERMANY)
RIBS REINFORCEMENT	NYLON STICK	R.P. (CHINA)
THREAD	SERAFIL 60	AMAN (GERMANY)

SUSPENSION LINES	FABRIC CODE	SUPPLIER
UPPER CASCADES	DC - 40	LIROS GMHB (GERMANY)
UPPER CASCADES	DC - 60	LIROS GMHB (GERMANY)
UPPER CASCADES	VL - 12100-50	COUSIN (FRANCE)
UPPER CASCADES	VL - 16140-70	COUSIN (FRANCE)
UPPER CASCADES	VL - 12240-115	COUSIN (FRANCE)
MIDDLE CASCADES	DC - 60	LIROS GMHB (GERMANY)
MIDDLE CASCADES	VL - 12100-50	COUSIN (FRANCE)
MIDDLE CASCADES	VL - 16140-70	COUSIN (FRANCE)
MIDDLE CASCADES	VL - 12240-115	COUSIN (FRANCE)
MIDDLE CASCADES	VL - 16330-145	COUSIN (FRANCE)
MIDDLE CASCADES	VL - 12470-200	COUSIN (FRANCE)
MAIN	VL - 16140-70	COUSIN (FRANCE)
MAIN	VL - 16330-145	COUSIN (FRANCE)
MAIN	VL - 12470-200	COUSIN (FRANCE)
MAIN	VL - 12950-405	COUSIN (FRANCE)
MAIN BREAK	TNL - 280	TEIJIM LIMITED (JAPAN)
THREAD	SERAFIL 60	AMAN (GERMANY)

RISERS	FABRIC CODE	SUPPLIER
MATERIAL	3455	COUSIN (FRANCE)
COLOR INDICATOR	PAD	TECNI SANGLES (FRANCE)
THREAD	V138	COATS (ENGLAND)
MAILLONS	MRDI03.0 S12	PEGUET (FRANCE)
PULLEYS	PY - 1304-2	ANSUNG PRECISION (KOREA)
PULLEYS	467	HARKEN (USA)

**MATERIALS TECHNICAL DATA**

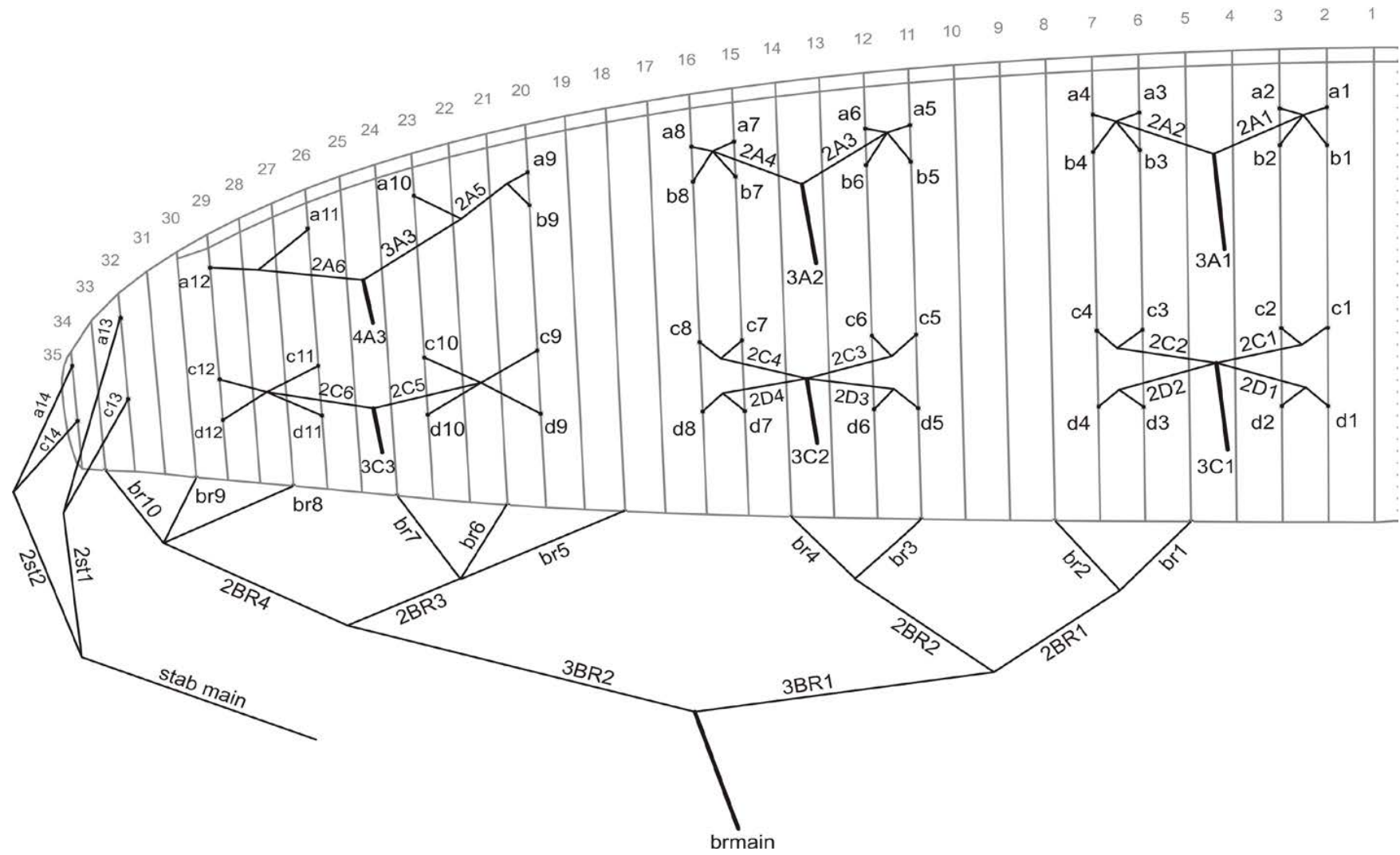
PEAK 3 X-ALPS

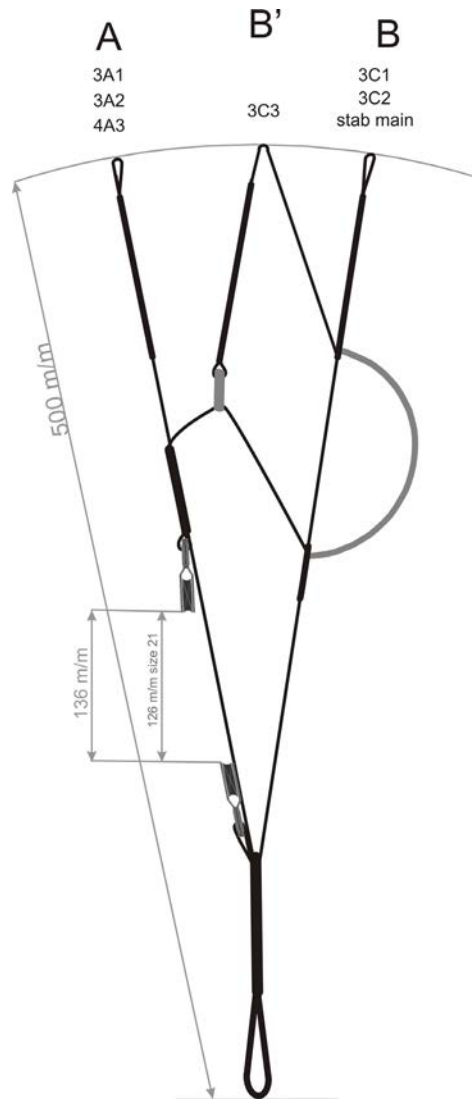
CANOPY	FABRIC CODE	SUPPLIER
UPPER SURFACE FOR LEADING EDGE	9017 E77	PORCHER IND (FRANCE)
UPPER SURFACE FOR THE REST	70000 E3H	PORCHER IND (FRANCE)
BOTTOM SURFACE	70000 E3H	PORCHER IND (FRANCE)
RIBS	70000 E91	PORCHER IND (FRANCE)
DIAGONALS	70000 E91	PORCHER IND (FRANCE)
LOOPS	LKI - 10	KOLON IND. (KOREA)
REINFORCEMENT LOOPS	SOFT DACRON	D-P (GERMANY)
TRAILING EDGE REINFORCEMENT	DACRON	D-P (GERMANY)
RIBS REINFORCEMENT	NYLON STICK	R.P. (CHINA)
THREAD	SERAFIL 60	AMAN (GERMANY)

SUSPENSION LINES	FABRIC CODE	SUPPLIER
UPPER CASCADES	DC - 40	LIROS GMHB (GERMANY)
UPPER CASCADES	DC - 60	LIROS GMHB (GERMANY)
UPPER CASCADES	VL - 12100-50	COUSIN (FRANCE)
UPPER CASCADES	VL - 16140-70	COUSIN (FRANCE)
UPPER CASCADES	VL - 12240-115	COUSIN (FRANCE)
MIDDLE CASCADES	DC - 60	LIROS GMHB (GERMANY)
MIDDLE CASCADES	VL - 12100-50	COUSIN (FRANCE)
MIDDLE CASCADES	VL - 16140-70	COUSIN (FRANCE)
MIDDLE CASCADES	VL - 12240-115	COUSIN (FRANCE)
MIDDLE CASCADES	VL - 16330-145	COUSIN (FRANCE)
MIDDLE CASCADES	VL - 12470-200	COUSIN (FRANCE)
MAIN	VL - 16140-70	COUSIN (FRANCE)
MAIN	VL - 16330-145	COUSIN (FRANCE)
MAIN	VL - 12470-200	COUSIN (FRANCE)
MAIN	VL - 12950-405	COUSIN (FRANCE)
MAIN BREAK	TNL - 280	TEIJIM LIMITED (JAPAN)
THREAD	SERAFIL 60	AMAN (GERMANY)

RISERS	FABRIC CODE	SUPPLIER
MATERIAL	3455	COUSIN (FRANCE)
COLOR INDICATOR	PAD	TECNI SANGLES (FRANCE)
THREAD	V138	COATS (ENGLAND)
MAILLONS	MRDI03.0 S12	PEGUET (FRANCE)
PULLEYS	PY - 1304-2	ANSUNG PRECISION (KOREA)
PULLEYS	467	HARKEN (USA)

SUSPENSION PLAN





**COLORS TECHNICAL DATA**

**PEAK 3 SERIAL**

<b>TORNADO</b>	1	BLACK	MAIN TOP	REF: 102
	2	LIMA	RIGHT HORN	REF: NK375
	3	ORANGE	LEFT HORN	REF: 744
	4	WHITE	SHADOW	REF: 001
	5	BLACK	MAIN BOTTOM	REF: 102
	6	ORANGE	VOLUM SHADOW	REF: 744
	7	LIMA	VOLUM SHADOW	REF: NK375



<b>MANDARIN</b>	1	ORANGE	MAIN TOP	REF: 744
	2	GREY BLUE	HORN	REF: 5405
	3	WHITE	SHADOW	REF: 001
	4	ORANGE	MAIN BOTTOM	REF: 744
	5	DRAGON RED	VOLUM SHADOW	REF: 636

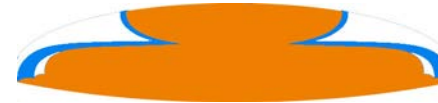


<b>DIAMOND</b>	1	GREY BLUE	MAIN TOP	REF: 5405
	2	GOLD	HORN	REF: 939
	3	WHITE	SHADOW	REF: 001
	4	GREY BLUE	MAIN BOTTOM	REF: 5405
	5	BLACK	VOLUM SHADOW	REF: 102



**PEAK 3 X-ALPS**

<b>PUMPKIN</b>	1	ORANGE	MAIN TOP	REF: 744
	2	WHITE	HORN	REF: 001
	3	DEEP BLUE	SHADOW	REF: 354
	5	ORANGE	MAIN BOTTOM	REF: 744
	6	WHITE	VOLUM SHADOW	REF: 001



<b>CRYSTAL</b>	1	WHITE	MAIN TOP	REF: 001
	2	WHITE	HORN	REF: 001
	3	DEEP BLUE	SHADOW	REF: 354
	4	WHITE	MAIN BOTTOM	REF: 001
	5	RED	VOLUM SHADOW	REF: 633



**WING LOAD TECHNICAL DATA**

**PEAK 3**

<b>21</b>		<b>23</b>		<b>25</b>		<b>27</b>	
P.T.V.	KG/M2	P.T.V.	KG/M2	P.T.V.	KG/M2	P.T.V.	KG/M2
70 =	3,33	80 =	3,48	90 =	3,60	105 =	3,89
71 =	3,38	81 =	3,52	91 =	3,64	106 =	3,93
72 =	3,43	82 =	3,57	92 =	3,68	107 =	3,96
73 =	3,48	83 =	3,61	93 =	3,72	108 =	4,00
74 =	3,52	84 =	3,65	94 =	3,76	109 =	4,04
75 =	3,57	85 =	3,70	95 =	3,80	110 =	4,07
76 =	3,62	86 =	3,74	96 =	3,84	111 =	4,11
77 =	3,67	87 =	3,78	97 =	3,88	112 =	4,15
78 =	3,71	88 =	3,83	98 =	3,92	113 =	4,19
79 =	3,76	89 =	3,87	99 =	3,96	114 =	4,22
80 =	3,81	90 =	3,91	100 =	4,00	115 =	4,26
81 =	3,86	91 =	3,96	101 =	4,04	116 =	4,30
82 =	3,90	92 =	4,00	102 =	4,08	117 =	4,33
83 =	3,95	93 =	4,04	103 =	4,12	118 =	4,37
84 =	4,00	94 =	4,09	104 =	4,16	119 =	4,41
85 =	4,05	95 =	4,13	105 =	4,20	120 =	4,44
		96 =	4,17	106 =	4,24	121 =	4,48
		97 =	4,22	107 =	4,28	122 =	4,52
				108 =	4,32	123 =	4,56
				109 =	4,36	124 =	4,59
				110 =	4,40	125 =	4,63



LINES TECHNICAL DATA

PEAK 3			21											
REF.	CODE	m/m	REF.	CODE	m/m	REF.	CODE	m/m	REF.	CODE	m/m	REF.	CODE	m/m
A			B			C			D			BRAKE		
a1	DC-60-wht	259	b1	DC-60-wht	224	c1	DC-60-wht	236	d1	DC-60-wht	246	br1	DC-40-wht	802
a2	DC-60-wht	213	b2	DC-60-wht	173	c2	DC-60-wht	178	d2	DC-60-wht	191	br2	DC-40-wht	388
a3	DC-60-wht	243	b3	DC-60-wht	204	c3	DC-60-wht	199	d3	DC-60-wht	212	br3	DC-40-wht	686
a4	DC-60-wht	252	b4	DC-60-wht	218	c4	DC-60-wht	223	d4	DC-60-wht	234	br4	DC-40-wht	671
a5	DC-60-wht	265	b5	DC-60-wht	231	c5	DC-60-wht	222	d5	DC-60-wht	233	br5	DC-40-wht	922
a6	DC-60-wht	228	b6	DC-60-wht	192	c6	DC-60-wht	178	d6	DC-60-wht	191	br6	DC-40-wht	804
a7	DC-60-wht	274	b7	DC-60-wht	240	c7	DC-60-wht	180	d7	DC-60-wht	193	br7	DC-40-wht	905
a8	DC-60-wht	285	b8	DC-60-wht	259	c8	DC-60-wht	207	d8	DC-60-wht	216	br8	DC-40-wht	624
a9	DC-60-wht	190	b9	DC-60-wht	165	c9	VL-16140-70	741	d9	VL-16100-50	829	br9	DC-40-wht	640
a10	VL-12240-115	1.036				c10	VL-16140-70	628	d10	VL-16100-50	717	br10	DC-40-wht	819
a11	VL-12100-50	1.030				c11	VL-16140-70	601	d11	VL-16100-50	673			
a12	VL-12100-50	1.033				c12	VL-16100-50	636	d12	VL-16100-50	695			
a13	VL-12100-50	967				c13	VL-16100-50	983						
a14	VL-12100-50	722				c14	VL-16100-50	764						
2A1	VL-12470-200	1.390				2C1	VL-12240-115	1.071	2D1	VL-16140-70	1.155	2BR1	DC-40-wht	1.296
2A2	VL-12470-200	1.312				2C2	VL-12240-115	1.004	2D2	VL-16140-70	1.090	2BR2	DC-40-wht	778
2A3	VL-12470-200	1.289				2C3	VL-12240-115	1.006	2D3	VL-16140-70	1.086	2BR3	DC-40-wht	1.204
2A4	VL-12470-200	1.193				2C4	VL-12240-115	965	2D4	VL-16140-70	1.043	2BR4	DC-40-wht	1.443
2A5	VL-16330-145	932				2C5	VL-12240-115	907						
2A6	VL-12240-115	992				2C6	VL-16140-70	867						
						2st1	VL-16100-50	298						
						2st2	VL-16100-50	456						
3A3	VL-12470-200	1.057												
3A1	VL-12950-405	4.880				3C1	VL-12470-200	5.192				3BR1	DC-60-wht	2.402
3A2	VL-12950-405	4.817				3C2	VL-12470-200	5.117				3BR2	DC-60-wht	1.631
4A3	VL-12950-405	3.993				3C3	VL-16330-145	4.546				brmain	TNL-280-red	2.916
						stab	VL-16140-70	4.469					Knot mark:	2.716

LINES TECHNICAL DATA

PEAK 3			23											
REF.	CODE	m/m	REF.	CODE	m/m	REF.	CODE	m/m	REF.	CODE	m/m	REF.	CODE	m/m
A			B			C			D			BRAKE		
a1	DC-60-wht	270	b1	DC-60-wht	234	c1	DC-60-wht	247	d1	DC-60-wht	258	br1	DC-40-wht	839
a2	DC-60-wht	224	b2	DC-60-wht	181	c2	DC-60-wht	187	d2	DC-60-wht	201	br2	DC-40-wht	407
a3	DC-60-wht	254	b3	DC-60-wht	214	c3	DC-60-wht	207	d3	DC-60-wht	222	br3	DC-40-wht	716
a4	DC-60-wht	265	b4	DC-60-wht	229	c4	DC-60-wht	233	d4	DC-60-wht	245	br4	DC-40-wht	703
a5	DC-60-wht	277	b5	DC-60-wht	242	c5	DC-60-wht	232	d5	DC-60-wht	243	br5	DC-40-wht	965
a6	DC-60-wht	238	b6	DC-60-wht	202	c6	DC-60-wht	187	d6	DC-60-wht	200	br6	DC-40-wht	843
a7	DC-60-wht	287	b7	DC-60-wht	252	c7	DC-60-wht	189	d7	DC-60-wht	202	br7	DC-40-wht	951
a8	DC-60-wht	299	b8	DC-60-wht	273	c8	DC-60-wht	217	d8	DC-60-wht	226	br8	DC-40-wht	655
a9	DC-60-wht	199	b9	DC-60-wht	173	c9	VL-16140-70	769	d9	VL-12100-50	870	br9	DC-40-wht	673
a10	VL-12240-115	1.082				c10	VL-16140-70	651	d10	VL-12100-50	754	br10	DC-40-wht	861
a11	VL-12100-50	1.076				c11	VL-16140-70	623	d11	VL-12100-50	707			
a12	VL-12100-50	1.080				c12	VL-12100-50	659	d12	VL-12100-50	731			
a13	VL-12100-50	1.007				c13	VL-12100-50	1.025						
a14	VL-12100-50	751				c14	VL-12100-50	795						
2A1	VL-12470-200	1.454				2C1	VL-12240-115	1.119	2D1	VL-16140-70	1.208	2BR1	DC-40-wht	1.355
2A2	VL-12470-200	1.373				2C2	VL-12240-115	1.051	2D2	VL-16140-70	1.142	2BR2	DC-40-wht	818
2A3	VL-12470-200	1.348				2C3	VL-12240-115	1.052	2D3	VL-16140-70	1.156	2BR3	DC-40-wht	1.262
2A4	VL-12470-200	1.246				2C4	VL-12240-115	1.007	2D4	VL-16140-70	1.115	2BR4	DC-40-wht	1.516
2A5	VL-16330-145	973				2C5	VL-12240-115	950						
2A6	VL-12240-115	1.037				2C6	VL-16140-70	909						
						2st1	VL-12100-50	311						
						2st2	VL-12100-50	477						
3A3	VL-12470-200	1.104												
3A1	VL-12950-405	5.127				3C1	VL-12470-200	5.454				3BR1	DC-60-wht	2.514
3A2	VL-12950-405	5.065				3C2	VL-12470-200	5.371				3BR2	DC-60-wht	1.715
4A3	VL-12950-405	4.205				3C3	VL-16330-145	4.776				brmain	TNL-280-red	3.117
						stab	VL-16140-70	4.705					Point a:	2.917

LINES TECHNICAL DATA

PEAK 3			25											
REF.	CODE	m/m	REF.	CODE	m/m	REF.	CODE	m/m	REF.	CODE	m/m	REF.	CODE	m/m
A			B			C			D			BRAKE		
a1	DC-60-wht	281	b1	DC-60-wht	244	c1	DC-60-wht	258	d1	DC-60-wht	269	br1	DC-40-wht	875
a2	DC-60-wht	233	b2	DC-60-wht	189	c2	DC-60-wht	195	d2	DC-60-wht	210	br2	DC-40-wht	425
a3	DC-60-wht	265	b3	DC-60-wht	222	c3	DC-60-wht	216	d3	DC-60-wht	231	br3	DC-40-wht	747
a4	DC-60-wht	276	b4	DC-60-wht	240	c4	DC-60-wht	243	d4	DC-60-wht	256	br4	DC-40-wht	733
a5	DC-60-wht	289	b5	DC-60-wht	251	c5	DC-60-wht	242	d5	DC-60-wht	254	br5	DC-40-wht	1.005
a6	DC-60-wht	249	b6	DC-60-wht	211	c6	DC-60-wht	195	d6	DC-60-wht	208	br6	DC-40-wht	877
a7	DC-60-wht	299	b7	DC-60-wht	262	c7	DC-60-wht	197	d7	DC-60-wht	210	br7	DC-40-wht	989
a8	DC-60-wht	313	b8	DC-60-wht	284	c8	DC-60-wht	226	d8	DC-60-wht	236	br8	DC-40-wht	679
a9	DC-60-wht	207	b9	DC-60-wht	180	c9	VL-16140-70	808	d9	VL-16100-50	915	br9	DC-40-wht	698
a10	VL-12240-115	1.130				c10	VL-16140-70	685	d10	VL-16100-50	793	br10	DC-40-wht	895
a11	VL-12100-50	1.123				c11	VL-16140-70	656	d11	VL-16100-50	744			
a12	VL-12100-50	1.128				c12	VL-16100-50	694	d12	VL-16100-50	768			
a13	VL-12100-50	1.054				c13	VL-16100-50	1.072						
a14	VL-12100-50	788				c14	VL-16100-50	833						
2A1	VL-12470-200	1.516				2C1	VL-12240-115	1.167	2D1	VL-16140-70	1.259	2BR1	DC-40-wht	1.412
2A2	VL-12470-200	1.433				2C2	VL-12240-115	1.098	2D2	VL-16140-70	1.191	2BR2	DC-40-wht	852
2A3	VL-12470-200	1.406				2C3	VL-12240-115	1.096	2D3	VL-16140-70	1.209	2BR3	DC-40-wht	1.312
2A4	VL-12470-200	1.302				2C4	VL-12240-115	1.055	2D4	VL-16140-70	1.165	2BR4	DC-40-wht	1.577
2A5	VL-16330-145	1.016				2C5	VL-12240-115	989						
2A6	VL-12240-115	1.083				2C6	VL-16140-70	946						
						2st1	VL-16100-50	326						
						2st2	VL-16100-50	497						
3A3	VL-12470-200	1.153												
3A1	VL-12950-405	5.362				3C1	VL-12470-200	5.702				3BR1	DC-60-wht	2.617
3A2	VL-12950-405	5.301				3C2	VL-12470-200	5.622				3BR2	DC-60-wht	1.786
4A3	VL-12950-405	4.413				3C3	VL-16330-145	5.012				brmain	TNL-280-red	3.218
						stab	VL-16140-70	4.933					Point a:	3.018

LINES TECHNICAL DATA

PEAK 3			27											
REF.	CODE	m/m	REF.	CODE	m/m	REF.	CODE	m/m	REF.	CODE	m/m	REF.	CODE	m/m
A			B			C			D			BRAKE		
a1	DC-60-wht	292	b1	DC-60-wht	253	c1	DC-60-wht	268	d1	DC-60-wht	279	br1	DC-40-wht	909
a2	DC-60-wht	243	b2	DC-60-wht	197	c2	DC-60-wht	203	d2	DC-60-wht	218	br2	DC-40-wht	442
a3	DC-60-wht	275	b3	DC-60-wht	231	c3	DC-60-wht	224	d3	DC-60-wht	240	br3	DC-40-wht	776
a4	DC-60-wht	288	b4	DC-60-wht	249	c4	DC-60-wht	253	d4	DC-60-wht	266	br4	DC-40-wht	762
a5	DC-60-wht	300	b5	DC-60-wht	261	c5	DC-60-wht	251	d5	DC-60-wht	263	br5	DC-40-wht	1.044
a6	DC-60-wht	259	b6	DC-60-wht	219	c6	DC-60-wht	203	d6	DC-60-wht	217	br6	DC-40-wht	912
a7	DC-60-wht	311	b7	DC-60-wht	272	c7	DC-60-wht	204	d7	DC-60-wht	218	br7	DC-40-wht	1.028
a8	DC-60-wht	325	b8	DC-60-wht	296	c8	DC-60-wht	235	d8	DC-60-wht	245	br8	DC-40-wht	705
a9	DC-60-wht	215	b9	DC-60-wht	187	c9	VL-16140-70	840	d9	VL-16100-50	940	br9	DC-40-wht	725
a10	VL-12240-115	1.175				c10	VL-16140-70	712	d10	VL-16100-50	814	br10	DC-40-wht	930
a11	VL-12100-50	1.167				c11	VL-16140-70	681	d11	VL-16100-50	762			
a12	VL-12100-50	1.172				c12	VL-16100-50	721	d12	VL-16100-50	788			
a13	VL-12100-50	1.095				c13	VL-16100-50	1.113						
a14	VL-12100-50	819				c14	VL-16100-50	866						
2A1	VL-12470-200	1.575				2C1	VL-12240-115	1.212	2D1	VL-16140-70	1.307	2BR1	DC-40-wht	1.467
2A2	VL-12470-200	1.491				2C2	VL-12240-115	1.142	2D2	VL-16140-70	1.239	2BR2	DC-40-wht	886
2A3	VL-12470-200	1.461				2C3	VL-12240-115	1.139	2D3	VL-16140-70	1.230	2BR3	DC-40-wht	1.362
2A4	VL-12470-200	1.354				2C4	VL-12240-115	1.097	2D4	VL-16140-70	1.185	2BR4	DC-40-wht	1.640
2A5	VL-16330-145	1.056				2C5	VL-12240-115	1.028						
2A6	VL-12240-115	1.126				2C6	VL-16140-70	983						
						2st1	VL-16100-50	338						
						2st2	VL-16100-50	516						
3A3	VL-12470-200	1.198												
3A1	VL-12950-405	5.600				3C1	VL-12470-200	5.953				3BR1	DC-60-wht	2.718
3A2	VL-12950-405	5.540				3C2	VL-12470-200	5.880				3BR2	DC-60-wht	1.859
4A3	VL-12950-405	4.611				3C3	VL-16330-145	5.238				brmain	TNL-280-red	3.360
						stab	VL-16140-70	5.152					Point a:	3.160

NIVIUK PEAK 3 21

LINES HEIGHT m/m					
	A	B	C	D	br
1	6515	6481	6486	6581	7216
2	6470	6430	6428	6526	6802
3	6421	6383	6381	6481	6582
4	6431	6397	6406	6503	6567
5	6358	6324	6332	6423	6473
6	6321	6286	6288	6381	6355
7	6271	6236	6250	6341	6456
8	6282	6256	6276	6364	6413
9	6157	6132	6181	6269	6429
10	6072		6067	6157	6609
11	6002		6000	6072	
12	6005		6035	6094	
13	5721		5738		
14	5635		5676		

RISERS LENGHT m/m				
	A	B	B'	
	500	500	500	STANDARD
	360	460	500	ACCELERATED

NIVIUK PEAK 3 23

LINES HEIGHT m/m					
	A	B	C	D	br
1	6836	6800	6805	6905	7610
2	6790	6747	6745	6848	7178
3	6739	6699	6697	6803	6950
4	6750	6714	6723	6826	6937
5	6675	6640	6640	6755	6844
6	6636	6600	6595	6712	6722
7	6583	6548	6552	6673	6830
8	6595	6569	6580	6697	6788
9	6466	6440	6480	6581	6806
10	6376		6362	6465	6994
11	6303		6293	6377	
12	6307		6329	6401	
13	6018		6036		
14	5928		5972		

RISERS LENGHT m/m				
	A	B	B'	
	500	500	500	STANDARD
	350	460	500	ACCELERATED

NIVIUK PEAK 3 25

LINES HEIGHT m/m					
	A	B	C	D	br
1	7159	7121	7126	7229	7922
2	7111	7067	7064	7170	7472
3	7060	7018	7016	7125	7234
4	7072	7035	7043	7149	7219
5	6996	6958	6966	7091	7120
6	6956	6917	6919	7046	6993
7	6903	6865	6879	7003	7104
8	6916	6887	6909	7029	7060
9	6789	6762	6809	6916	7078
10	6696		6686	6794	7275
11	6620		6613	6701	
12	6624		6651	6726	
13	6313		6331		
14	6218		6264		

RISERS LENGHT m/m				
	A	B	B'	
	500	500	500	STANDARD
	350	460	500	ACCELERATED

NIVIUK PEAK 3 27

LINES HEIGHT m/m					
	A	B	C	D	br
1	7459	7420	7417	7524	8246
2	7409	7364	7352	7463	7779
3	7358	7314	7304	7417	7532
4	7371	7332	7332	7443	7518
5	7293	7254	7254	7358	7416
6	7252	7212	7206	7311	7285
7	7197	7158	7165	7267	7401
8	7211	7181	7195	7294	7355
9	7072	7043	7093	7193	7375
10	6976		6965	7066	7580
11	6897		6890	6971	
12	6901		6929	6996	
13	6577		6595		
14	6478		6525		

RISERS LENGHT m/m				
	A	B	B'	
	500	500	500	STANDARD
	350	460	500	ACCELERATED

**SUSPENSION TECHNICAL DATA**

**PEAK 3**

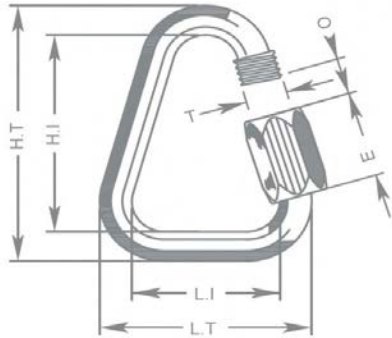
MATERIAL CODE		DC	DC	12100	16140	12240	16330	12470	12950	TNL
STRENGTH CODE		040	060	50	70	115	145	200	405	280
DIAMETER m/m	ø	0,5	0,6			0,9	1	1,2	1,6	1,8
CORE MATERIAL		DYNEEMA	DYNEEMA	VECTRAM	VECTRAM	VECTRAM	VECTRAM	VECTRAM	VECTRAM	TECHNORA
SLEEVE MATERIAL		NO	NO	NO	NO	NO	NO	NO	NO	Polyester
WEIGHT G/M	TOTAL	0,19	0,24	0,28	0,39	0,9	0,77	1,17	2	2,7
BREAKING STRENGTH	MINIMUM	40	60	50	70	115	145	200	405	280
	MAXIMUM	48	84	53	74	122	153	215	430	320
STRENGTH AFTER										
5.000 BENDING	TEST EN	33	74	36	31	60,9	77,5	112,1	237,5	134,7
CYCLES										
ELONGATION AT	5 daN en %			0,4	0,75	0,2	0,2	0,2	0,35	0,2
	10 daN en %		0,43	0,9	1	0,4	0,4	0,3	0,4	0,3
	15 daN en %			1,3	1,1	0,4	0,7	0,4	0,5	0,4
	20 daN en %			1,5	1,4	0,9	0,8	0,5	0,7	0,4
	25 daN en %			1,9	1,75	1	0,9	0,6	0,9	0,5
	30 daN en %		1,2		2,75	1,6	1,5	1	1	0,9
	75 daN en %					2	2	1,4	1,3	1,3
	100 daN en %					3	2,4	1,7	1,7	1,7
	125 daN en %						3	2,1	1,8	2
	150 daN en %						3,6	2,4	1,9	2,3
	175 daN en %							2,8	2	2,7
	200 daN en %							3,2	2,4	2,8
	250 daN en %								2,7	
Elongation max. breaking strength %			3,2	3,8	3,7	3,5	3,7	3,4	4,2	4,1

## MAILLON & PULLEY TECHNICAL DATA

### DESCRIPTION

MAILLON	DELTA
CODE	NKD12
MATERIAL	STAINLESS STEEL
SIZE	3,8 m/m
WEIGHT	5,3 G/PIECE

### TECHNICAL SPECIFICATIONS



DIMENSIONS	m/m
L.T.	17,8
L.I.	14
H.T.	36
H.I.	28
O	3
E	11
T	m 4
LOAD	KG
WORKING LIMIT	100
BREAKING	500

### MATERIAL

316 STAINLESS STEEL

STANDARD

CLOSING APPLIED BY MANUAL & ENTIRE SCREWING OF THE NUT

TO GUARANTEE THE HIGHEST SAFETY (NO THREAD SHOULD BE OBVIOUS)

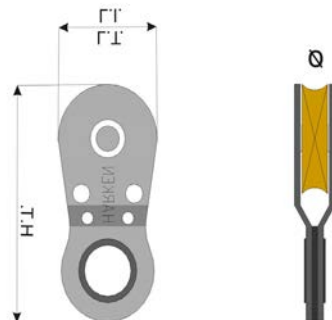
SYSTEMATIC CONTROL OF MAILLON QUICK-LINKS BEFORE EVERY FLIGHT

### DESCRIPTION PULLEY

PULLEY	16 m/m
CODE	467
MATERIAL	STAINLESS STEEL
BEARING	DELRIN®
WEIGHT	12 G/PIECE

### TECHNICAL SPECIFICATIONS

DIMENSIONS	m/m
L.T.	16
L.I.	16
H.T.	37
ø	4 max
LOAD	KG
WORKING LIMIT	113
BREAKING	339



## THREAD TECHNICAL DATA

### SAIL MAKING

NAME	SERAFIL
N° OF REFERENCE	60
MATERIAL	POLYESTER
TYPE OF FINISH	SILK
LINEAR DENSITY	NM 61 / 3 (DTEX 163 * 3)
BREAKING STRENGTH	3,000 CN
ELONGATION	17,00%

### PROPIETIES SERAFIL

SOLIDITY ARTIFICIAL LIGTH	ISO 105 B02 > 5 - 6
SOLIDITY SWEAT	ISO 105 E04 > 4
SOLIDITY WASHING	ISO 105 C04 > 3
SOLIDITY GRAZE IN DRY	ISO 105 X12 > 4
SOLIDITY WASHING IN DRY	ISO 105 D01 > 3 - 4

TREATMENT WATER REPELLENT WR

### RISERS MAKING

NAME	COATS BONDED C.F.P.
N° OF REFERENCE	V138
MATERIAL	POLYESTER
TYPE OF FINISH	SILK
BREAKING STRENGTH	9,5 KG
ELONGATION	19%



**RISERS TECHNICAL DATA****RISERS**

N° OF REFERENCE	3455
MATERIAL	POLYESTER & TECNORA
WIDTH	12 M/M
THICKNESS	0,9M/M
BREAKING STRENGTH	1,078 DAN
ELONGATION	MAX. 11%
WEIGHT	9,1 G* L.M.
COLOR	BLACK

**COLOR INDICATOR**

N° OF REFERENCE	IC-G 1-2
MATERIAL	POLYESTER
WIDTH	70 M/M
THICKNESS	0,80 M/M
BREAKING STRENGTH	130 DN
ELONGATION	35 %
WEIGHT	32 G * L.M.
COLOR	GREEN

**LOOPS**

N° OF REFERENCE	LKI - 10
MATERIAL	NYLON
WIDTH	10 M/M
BREAKING STRENGTH	84 KG
ELONGATION	30 %
WEIGHT	5,5 G/M
COLOR	WHITE

