

TECHNICAL SPECIFICATIONS ROLLER



TECHNICAL DATA

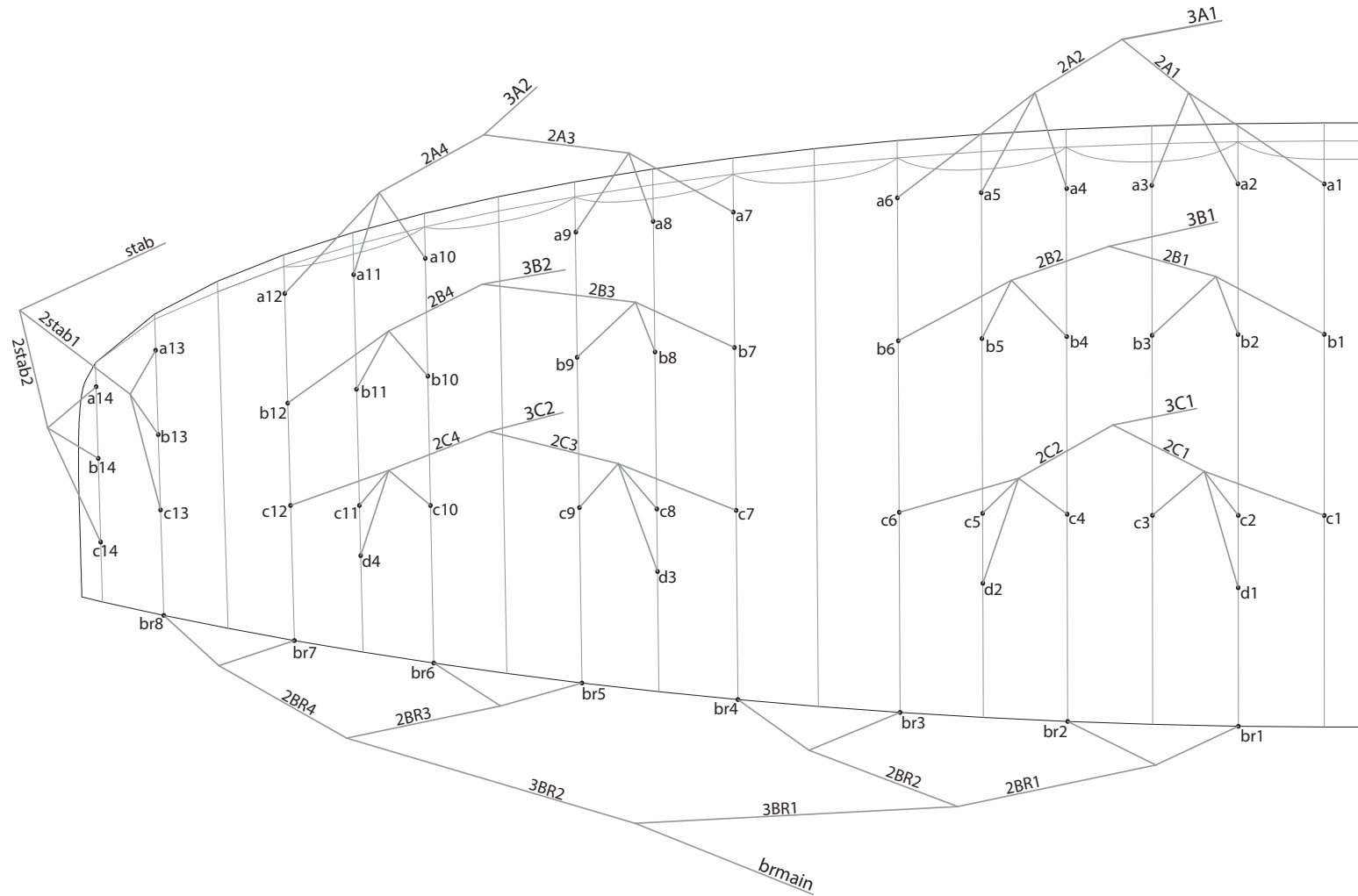
ROLLER			14	16	18	20
CELLS	NUMBER		35	35	35	35
	CLOSED		8	8	8	8
	BOX		27	27	27	27
FLAT	AREA	m ²	14	16	18	20
	SPAN	m	7,76	8,3	8,8	9,27
	ASPECT RATIO		4,3	4,3	4,3	4,3
PROJECTED	AREA	m ²	12,5	14,28	16,1	17,85
	SPAN	m	6,71	7,17	7,61	8,02
	ASPECT RATIO		3,6	3,6	3,6	3,6
FLATTENING		%	12%	12%	12%	12%
CORD	MAXIMUM	m	2,17	2,32	2,46	2,59
	MINIMUM	m	0,72	0,77	0,81	0,86
	AVERAGE	m	1,80	1,93	2,05	2,16
LINES	TOTAL METERS	m	180,4	193,5	205,8	217,5
	HEIGHT	m	4,88	5,23	5,54	5,84
	NUMBER		164	164	164	164
	MAIN		2/3/2	2/3/2	2/3/2	2/3/2
RISERS	NUMBER	3	A/B/C	A/B/C	A/B/C	A/B/C
	TRIMS		YES	YES	YES	YES
	ACCELERATOR	m/m	90	90	90	90
INTERMEDIATE WEIGHT	MINIMUM	kg	60	70	80	90
IN FLIGHT	MAXIMUM	kg	90	100	110	120
GLIDER WEIGHT		kg	3	3,3	3,6	3,9
CERTIFICATION		EN	926-1	926-1	926-1	926-1

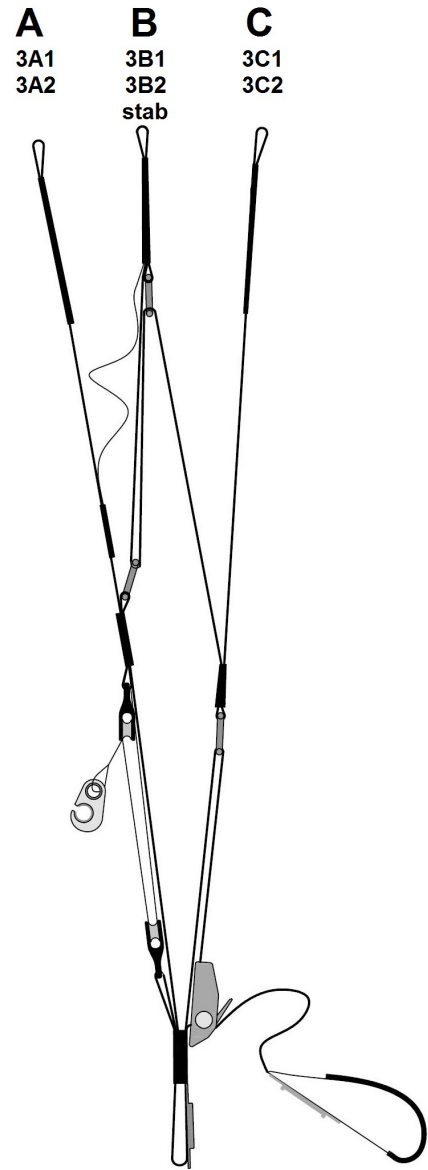
MATERIALS TECHNICAL DATA

CANOPY	FABRIC CODE	SUPPLIER
UPPER SURFACE	9017 E25	PORCHER IND (FRANCE)
BOTTOM SURFACE	N20 DMF	DOMINICO TEX CO. (KOREA)
RIBS	9017-E29	PORCHER IND (FRANCE)
DIAGONALS	9017-E29	PORCHER IND (FRANCE)
LOOPS	LKI - 10	KOLON IND. (KOREA)
REINFORCEMENT LOOPS	W-420	D-P (GERMANY)
TRAILING EDGE REINFORCEMENT	MYLAR	D-P (GERMANY)
RIB REINFORCEMENT	LTN-0.8 STICK	SPORTWARE CO. (CHINA)
THREAD	SERAFIL 60	AMAN (GERMANY)

SUSPENSION LINES	FABRIC CODE	SUPPLIER
UPPER CASCADES	DC - 60	LIROS GMHB (GERMANY)
MIDDLE CASCADES	DC - 60	LIROS GMHB (GERMANY)
MIDDLE CASCADES	PPSL - 120	LIROS GMHB (GERMANY)
MIDDLE CASCADES	TNL - 140	TEIJIM LIMITED (JAPAN)
MAIN	PPSL - 120	LIROS GMHB (GERMANY)
MAIN	TNL - 280	TEIJIM LIMITED (JAPAN)
MAIN	TNL - 400	TEIJIM LIMITED (JAPAN)
MAIN BREAK	TNL - 400	TEIJIM LIMITED (JAPAN)
THREAD	SERAFIL 60	AMAN (GERMANY)

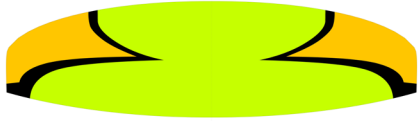
RISERS	FABRIC CODE	SUPPLIER
MATERIAL	G-R 22	TECNI SANGLES (FRANCE)
COLOUR INDICATOR	PAD	TECNI SANGLES (FRANCE)
THREAD	V138	COATS (UK)
MAILLONS	MRI4	ANSUNG PRECISION (KOREA)
PULLEYS	PY - 1304-2	ANSUNG PRECISION (KOREA)





COLOURS TECHNICAL DATA

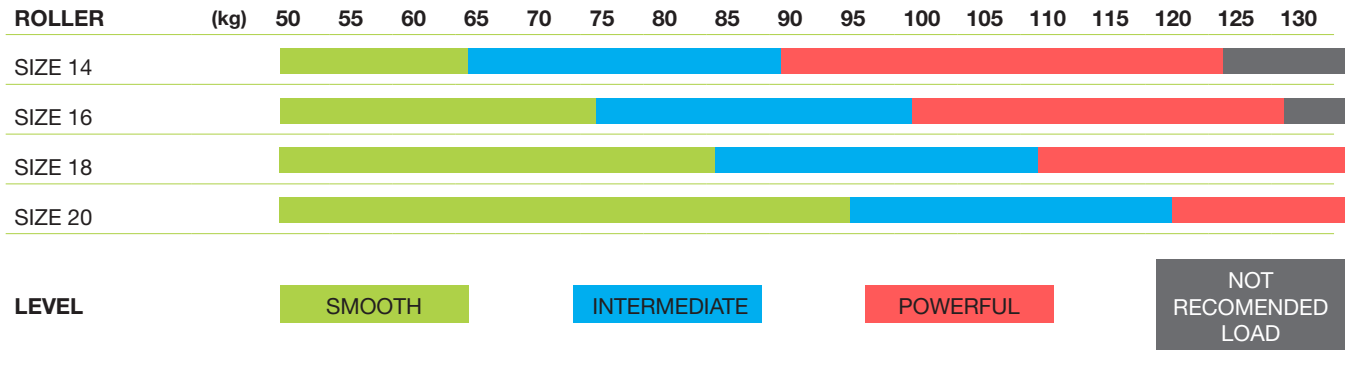
ANANAS	SB1	LIMA	TOP	REF: 300
	SB2	LIMA	BOTTOM	REF: 300
	SB3	GOLD	HORN	REF: 939
	SB4	BLACK	SHADOW	REF: 102



HARDOS	SB1	ORANGE	TOP	REF: 744
	SB2	ORANGE	BOTTOM	REF: 744
	SB3	BLACK	HORN	REF: 102
	SB4	WHITE	SHADOW	REF: 001



LEVEL RANGE



LINES TECHNICAL DATA

ROLLER

14

REF.	MAT.	kg	COLOUR	m/m	REF.	MAT.	kg	COLOUR	m/m	REF.	MAT.	kg	COLOUR	m/m	REF.	MAT.	kg	COLOUR	m/m	REF.	MAT.	kg	COLOUR	m/m
A					B					C					D					BRAKE				
a1	DC	60	WHT	1.264	b1	DC	60	WHT	1.250	c1	DC	60	WHT	1.027	d1	DC	60	WHT	988	br1	DC	60	WHT	1.041
a2	DC	60	WHT	1.199	b2	DC	60	WHT	1.186	c2	DC	60	WHT	937	d2	DC	60	WHT	974	br2	DC	60	WHT	685
a3	DC	60	WHT	1.179	b3	DC	60	WHT	1.168	c3	DC	60	WHT	905	d3	DC	60	WHT	886	br3	DC	60	WHT	666
a4	DC	60	WHT	1.175	b4	DC	60	WHT	1.156	c4	DC	60	WHT	917	d4	DC	60	WHT	783	br4	DC	60	WHT	700
a5	DC	60	WHT	1.175	b5	DC	60	WHT	1.160	c5	DC	60	WHT	928						br5	DC	60	WHT	695
a6	DC	60	WHT	1.214	b6	DC	60	WHT	1.203	c6	DC	60	WHT	989						br6	DC	60	WHT	645
a7	DC	60	WHT	1.131	b7	DC	60	WHT	1.110	c7	DC	60	WHT	917						br7	DC	60	WHT	444
a8	DC	60	WHT	1.089	b8	DC	60	WHT	1.075	c8	DC	60	WHT	860						br8	DC	60	WHT	546
a9	DC	60	WHT	1.078	b9	DC	60	WHT	1.070	c9	DC	60	WHT	846										
a10	DC	60	WHT	997	b10	DC	60	WHT	982	c10	DC	60	WHT	785										
a11	DC	60	WHT	970	b11	DC	60	WHT	963	c11	DC	60	WHT	775										
a12	DC	60	WHT	969	b12	DC	60	WHT	969	c12	dc	60	WHT	799										
a13	DC	60	WHT	1.310	b13	DC	60	WHT	1.286	c13	DC	60	WHT	1.341										
a14	DC	60	WHT	1.247	b14	DC	60	WHT	1.238	c14	DC	60	WHT	1.317										
2A1	PPSL	120	GREEN	866	2B1	PPSL	120	BLUE	850	2C1	PPSL	120	BLUE	573						2BR1	TNL	140	RED	729
2A2	PPSL	120	GREEN	867	2B2	PPSL	120	BLUE	862	2C2	PPSL	120	BLUE	557						2BR2	TNL	140	RED	637
2A3	PPSL	120	GREEN	1189	2B3	PPSL	120	BLUE	1.165	2C3	PPSL	120	BLUE	811						2BR3	TNL	140	RED	632
2A4	PPSL	120	GREEN	1230	2B4	PPSL	120	BLUE	1.226	2C4	PPSL	120	BLUE	845						2BR4	TNL	140	RED	845
2stab1	DC	60	WHT	440																				
2stab2	DC	60	WHT	476																				
3A1	TNL	400	GREEN	2305	3B1	TNL	400	BLUE	2.261	3C1	TNL	400	BLUE	2.870						3BR1	TNL	140	RED	1.258
3A2	TNL	400	GREEN	2064	3B2	TNL	280	BLUE	2.057	3C2	TNL	280	BLUE	2.696						3BR2	TNL	140	RED	1.212
					stab	PPSL	120	RED	2.373															
																				brmain	TNL	280	RED	2.300
																				Point a:				2.100

LINES TECHNICAL DATA

ROLLER

16

REF.	MAT.	kg	COLOUR	m/m	REF.	MAT.	kg	COLOUR	m/m	REF.	MAT.	kg	COLOUR	m/m	REF.	MAT.	kg	COLOUR	m/m							
A					B					C					D					BRAKE						
a1	DC	60	WHT	1.350	b1	DC	60	WHT	1.336	c1	DC	60	WHT	1.098	d1	DC	60	WHT	1.059	br1	DC	60	WHT	1.110		
a2	DC	60	WHT	1.283	b2	DC	60	WHT	1.269	c2	DC	60	WHT	1.003	d2	DC	60	WHT	1.042		br2	DC	60	WHT	731	
a3	DC	60	WHT	1.263	b3	DC	60	WHT	1.251	c3	DC	60	WHT	970	d3	DC	60	WHT	950		br3	DC	60	WHT	711	
a4	DC	60	WHT	1.254	b4	DC	60	WHT	1.234	c4	DC	60	WHT	978	d4	DC	60	WHT	840		br4	DC	60	WHT	749	
a5	DC	60	WHT	1.256	b5	DC	60	WHT	1.240	c5	DC	60	WHT	991							br5	DC	60	WHT	742	
a6	DC	60	WHT	1.299	b6	DC	60	WHT	1.287	c6	DC	60	WHT	1.058							br6	DC	60	WHT	690	
a7	DC	60	WHT	1.209	b7	DC	60	WHT	1.187	c7	DC	60	WHT	980							br7	DC	60	WHT	473	
a8	DC	60	WHT	1.165	b8	DC	60	WHT	1.149	c8	DC	60	WHT	920							br8	DC	60	WHT	584	
a9	DC	60	WHT	1.154	b9	DC	60	WHT	1.144	c9	DC	60	WHT	905												
a10	DC	60	WHT	1.066	b10	DC	60	WHT	1.049	c10	DC	60	WHT	839												
a11	DC	60	WHT	1.038	b11	DC	60	WHT	1.029	c11	DC	60	WHT	829												
a12	DC	60	WHT	1.037	b12	DC	60	WHT	1.037	c12	dc	60	WHT	855												
a13	DC	60	WHT	1.401	b13	DC	60	WHT	1.374	c13	DC	60	WHT	1.433												
a14	DC	60	WHT	1.334	b14	DC	60	WHT	1.324	c14	DC	60	WHT	1.408												
2A1	PPSL	120	GREEN	922	2B1	PPSL	120	BLUE	905	2C1	PPSL	120	BLUE	609						2BR1	TNL	140	RED	778		
2A2	PPSL	120	GREEN	930	2B2	PPSL	120	BLUE	924	2C2	PPSL	120	BLUE	599							2BR2	TNL	140	RED	680	
2A3	PPSL	120	GREEN	1270	2B3	PPSL	120	BLUE	1.245	2C3	PPSL	120	BLUE	866							2BR3	TNL	140	RED	676	
2A4	PPSL	120	GREEN	1316	2B4	PPSL	120	BLUE	1.312	2C4	PPSL	120	BLUE	904							2BR4	TNL	140	RED	907	
2stab1	DC	60	WHT	471																						
2stab2	DC	60	WHT	508																						
3A1	TNL	400	GREEN	2499	3B1	TNL	400	BLUE	2.453	3C1	TNL	400	BLUE	3.104							3BR1	TNL	140	RED	1.343	
3A2	TNL	400	GREEN	2249	3B2	TNL	280	BLUE	2.241	3C2	TNL	280	BLUE	2.923								3BR2	TNL	140	RED	1.297
					stab	PPSL	120	RED	2.580																	
																					brmain	TNL	280	RED	2.486	
																					Point a:			2.286		

LINES TECHNICAL DATA

ROLLER

18

REF.	MAT.	kg	COLOUR	m/m	REF.	MAT.	kg	COLOUR	m/m	REF.	MAT.	kg	COLOUR	m/m	REF.	MAT.	kg	COLOUR	m/m							
A					B					C					D					BRAKE						
a1	DC	60	WHT	1.432	b1	DC	60	WHT	1.416	c1	DC	60	WHT	1.164	d1	DC	60	WHT	1.126	br1	DC	60	WHT	1.176		
a2	DC	60	WHT	1.361	b2	DC	60	WHT	1.346	c2	DC	60	WHT	1.065	d2	DC	60	WHT	1.107		br2	DC	60	WHT	775	
a3	DC	60	WHT	1.342	b3	DC	60	WHT	1.329	c3	DC	60	WHT	1.031	d3	DC	60	WHT	1.010		br3	DC	60	WHT	753	
a4	DC	60	WHT	1.328	b4	DC	60	WHT	1.307	c4	DC	60	WHT	1.036	d4	DC	60	WHT	893		br4	DC	60	WHT	795	
a5	DC	60	WHT	1.331	b5	DC	60	WHT	1.314	c5	DC	60	WHT	1.050							br5	DC	60	WHT	787	
a6	DC	60	WHT	1.378	b6	DC	60	WHT	1.366	c6	DC	60	WHT	1.123							br6	DC	60	WHT	733	
a7	DC	60	WHT	1.282	b7	DC	60	WHT	1.259	c7	DC	60	WHT	1.039							br7	DC	60	WHT	501	
a8	DC	60	WHT	1.236	b8	DC	60	WHT	1.219	c8	DC	60	WHT	976							br8	DC	60	WHT	620	
a9	DC	60	WHT	1.224	b9	DC	60	WHT	1.214	c9	DC	60	WHT	960												
a10	DC	60	WHT	1.130	b10	DC	60	WHT	1.112	c10	DC	60	WHT	889												
a11	DC	60	WHT	1.101	b11	DC	60	WHT	1.092	c11	DC	60	WHT	879												
a12	DC	60	WHT	1.100	b12	DC	60	WHT	1.100	c12	dc	60	WHT	907												
a13	DC	60	WHT	1.487	b13	DC	60	WHT	1.458	c13	DC	60	WHT	1.520												
a14	DC	60	WHT	1.415	b14	DC	60	WHT	1.405	c14	DC	60	WHT	1.493												
2A1	PPSL	120	GREEN	975	2B1	PPSL	120	BLUE	957	2C1	PPSL	120	BLUE	643						2BR1	TNL	140	RED	824		
2A2	PPSL	120	GREEN	989	2B2	PPSL	120	BLUE	982	2C2	PPSL	120	BLUE	637							2BR2	TNL	140	RED	722	
2A3	PPSL	120	GREEN	1346	2B3	PPSL	120	BLUE	1.320	2C3	PPSL	120	BLUE	918							2BR3	TNL	140	RED	717	
2A4	PPSL	120	GREEN	1397	2B4	PPSL	120	BLUE	1.393	2C4	PPSL	120	BLUE	960							2BR4	TNL	140	RED	965	
2stab1	DC	60	WHT	499																						
2stab2	DC	60	WHT	538																						
3A1	TNL	400	GREEN	2682	3B1	TNL	400	BLUE	2.633	3C1	TNL	400	BLUE	3.324							3BR1	TNL	140	RED	1.423	
3A2	TNL	400	GREEN	2422	3B2	TNL	280	BLUE	2.414	3C2	TNL	280	BLUE	3.138								3BR2	TNL	140	RED	1.377
					stab	PPSL	120	RED	2.775																	
																					brmain	TNL	280	RED	2.661	
																					Point a:			2.461		

LINES TECHNICAL DATA

ROLLER					20																					
REF.	MAT.	kg	COLOUR	m/m	REF.	MAT.	kg	COLOUR	m/m	REF.	MAT.	kg	COLOUR	m/m	REF.	MAT.	kg	COLOUR	m/m							
A					B					C					D					BRAKE						
a1	DC	60	WHT	1.509	b1	DC	60	WHT	1.493	c1	DC	60	WHT	1.227	d1	DC	60	WHT	1.189	br1	DC	60	WHT	1.237		
a2	DC	60	WHT	1.436	b2	DC	60	WHT	1.420	c2	DC	60	WHT	1.123	d2	DC	60	WHT	1.167		br2	DC	60	WHT	816	
a3	DC	60	WHT	1.416	b3	DC	60	WHT	1.403	c3	DC	60	WHT	1.089	d3	DC	60	WHT	1.067		br3	DC	60	WHT	793	
a4	DC	60	WHT	1.398	b4	DC	60	WHT	1.376	c4	DC	60	WHT	1.090	d4	DC	60	WHT	943		br4	DC	60	WHT	839	
a5	DC	60	WHT	1.403	b5	DC	60	WHT	1.385	c5	DC	60	WHT	1.107							br5	DC	60	WHT	829	
a6	DC	60	WHT	1.453	b6	DC	60	WHT	1.440	c6	DC	60	WHT	1.184							br6	DC	60	WHT	774	
a7	DC	60	WHT	1.351	b7	DC	60	WHT	1.326	c7	DC	60	WHT	1.096							br7	DC	60	WHT	528	
a8	DC	60	WHT	1.303	b8	DC	60	WHT	1.285	c8	DC	60	WHT	1.028							br8	DC	60	WHT	653	
a9	DC	60	WHT	1.291	b9	DC	60	WHT	1.280	c9	DC	60	WHT	1.012												
a10	DC	60	WHT	1.191	b10	DC	60	WHT	1.172	c10	DC	60	WHT	937												
a11	DC	60	WHT	1.160	b11	DC	60	WHT	1.151	c11	DC	60	WHT	926												
a12	DC	60	WHT	1.160	b12	DC	60	WHT	1.160	c12	dc	60	WHT	956												
a13	DC	60	WHT	1.567	b13	DC	60	WHT	1.537	c13	DC	60	WHT	1.602												
a14	DC	60	WHT	1.492	b14	DC	60	WHT	1.481	c14	DC	60	WHT	1.574												
2A1	PPSL	120	GREEN	1025	2B1	PPSL	120	BLUE	1.007	2C1	PPSL	120	BLUE	676						2BR1	TNL	140	RED	867		
2A2	PPSL	120	GREEN	1044	2B2	PPSL	120	BLUE	1.037	2C2	PPSL	120	BLUE	674							2BR2	TNL	140	RED	761	
2A3	PPSL	120	GREEN	1418	2B3	PPSL	120	BLUE	1.391	2C3	PPSL	120	BLUE	967							2BR3	TNL	140	RED	756	
2A4	PPSL	120	GREEN	1474	2B4	PPSL	120	BLUE	1.469	2C4	PPSL	120	BLUE	1.013							2BR4	TNL	140	RED	1.020	
2stab1	DC	60	WHT	526																						
2stab2	DC	60	WHT	567																						
3A1	TNL	400	GREEN	2854	3B1	TNL	400	BLUE	2.804	3C1	TNL	400	BLUE	3.532							3BR1	TNL	140	RED	1.498	
3A2	TNL	400	GREEN	2587	3B2	TNL	280	BLUE	2.578	3C2	TNL	280	BLUE	3.340								3BR2	TNL	140	RED	1.453
					stab	PPSL	120	RED	2.960																	
																					brmain	TNL	280	RED	2.827	
																					Point a:			2.627		

NIVIUK ROLLER 14

LINES HEIGHT m/m

	A	B	C	D	br
1	4425	4351	4460	4421	5128
2	4360	4287	4370	4391	4772
3	4340	4269	4338	4383	4661
4	4337	4269	4334	4314	4695
5	4337	4273	4345		4639
6	4376	4316	4406		4589
7	4374	4322	4414		4601
8	4332	4287	4357		4703
9	4321	4282	4343		
10	4281	4255	4316		
11	4254	4236	4306		
12	4253	4242	4330		
13	4118	4094	4149		
14	4091	4082	4161		

RISERS LENGTH m/m

	A	B	C	
	480	480	480	STANDARD
	480	507	580	TRIMMER OPENED
	390	445	580	ACCELERATED

NIVIUK ROLLER 16

LINES HEIGHT m/m

	A	B	C	D	br
1	4761	4684	4801	4762	5517
2	4694	4617	4706	4735	5138
3	4674	4599	4673	4729	5020
4	4673	4601	4671	4657	5058
5	4675	4607	4684		5001
6	4718	4654	4751		4949
7	4718	4663	4759		4963
8	4674	4625	4699		5074
9	4663	4620	4684		
10	4621	4592	4656		
11	4593	4572	4646		
12	4592	4580	4672		
13	4447	4420	4479		
14	4417	4407	4491		

RISERS LENGTH m/m

	A	B	C	
	480	480	480	STANDARD
	480	507	580	TRIMMER OPENED
	390	445	580	ACCELERATED

NIVIUK ROLLER 18

LINES HEIGHT m/m

	A	B	C	D	br
1	5079	4996	5121	5083	5884
2	5008	4926	5022	5058	5483
3	4989	4909	4988	5056	5359
4	4989	4912	4987	4981	5401
5	4992	4919	5001		5342
6	5039	4971	5074		5288
7	5040	4983	5085		5304
8	4994	4943	5022		5423
9	4982	4938	5006		
10	4939	4909	4977		
11	4910	4889	4967		
12	4909	4897	4995		
13	4756	4727	4789		
14	4723	4713	4801		

RISERS LENGTH m/m

	A	B	C	
	480	480	480	STANDARD
	480	507	580	TRIMMER OPENED
	390	445	580	ACCELERATED

NIVIUK ROLLER 20

LINES HEIGHT m/m

	A	B	C	D	br
1	5378	5294	5435	5397	6229
2	5305	5221	5331	5373	5808
3	5285	5204	5297	5374	5679
4	5286	5207	5296	5296	5725
5	5291	5216	5313		5665
6	5341	5271	5390		5610
7	5346	5285	5403		5628
8	5298	5244	5335		5753
9	5286	5239	5319		
10	5242	5209	5290		
11	5211	5188	5279		
12	5211	5197	5309		
13	5048	5018	5088		
14	5014	5003	5101		

RISERS LENGTH m/m

	A	B	C	
	480	480	480	STANDARD
	480	507	580	TRIMMER OPENED
	390	445	580	ACCELERATED

SUSPENSION TECHNICAL DATA
ROLLER

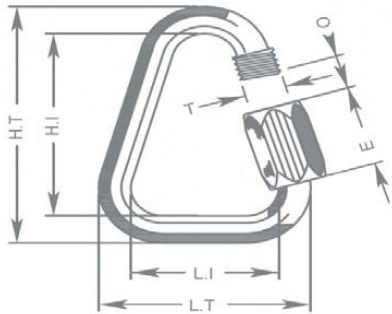
MATERIAL CODE		DC	PPSL	TNL	TNL	TNL
STRENGTH CODE		060	120	140	280	400
DIAMETER m/m	Ø	0,6	1,15	1,4	1,8	2,3
CORE MATERIAL		DYNEEMA	DYNEEMA	TECHNORA	TECHNORA	TECHNORA
SLEEVE MATERIAL		NO	POLYESTER	POLYESTER	POLYESTER	POLYESTER
WEIGHT g/m	TOTAL	0,24	1	1,2	2,7	4
BREAKING STRENGTH	MINIMUM	60	120	140	280	460
	MAXIMUM	84	159	160	320	470
STRENGTH AFTER						
5.000 BENDING CYCLES	TEST EN	74	135	76,1	134,7	160,1
ELONGATION AT	5 dan en %			0,2	0,2	0,05
	10 dan en %	0,43	0,2	0,3	0,3	0,1
	15 dan en %			0,5	0,4	0,2
	20 dan en %			0,6	0,4	0,2
	25 dan en %			0,8	0,5	0,3
	30 dan en %	1,2	0,6	1,5	0,9	0,6
	75 dan en %			2,3	1,3	0,8
	100 dan en %			2,7	1,7	1,1
	125 dan en %			3,2	2	1,4
	150 dan en %				2,3	1,7
	175 dan en %				2,7	2
	200 dan en %				2,8	2,2
	250 dan en %					
ELONGATION MAX. BREAKING STRENGTH %		3,2	2	3,4	4,1	4,6

MAILLON TECHNICAL DATA

DESCRIPTION

MAILLON	DELTA
CODE	MRI4
MATERIAL	STAINLESS STEEL
SIZE	4,3 m/m
WEIGHT	12 g/PIECE

TECHNICAL SPECIFICATIONS



DIMENSIONS	m/m
L.T.	28
L.I.	20
H.T.	38
H.I.	30
O	4
E	11
T	4
LOAD	kg
WORKING LIMIT	150
BREAKING	750

MATERIAL

AISI 304 STAINLESS STEEL	STANDARD
--------------------------	----------

CLOSING APPLIED BY MANUAL & ENTIRE SCREWING OF THE NUT TO GUARANTEE THE HIGHEST SAFETY (NO THREAD SHOULD BE OBVIOUS)

SYSTEMATIC CONTROL OF MAILLON QUICK-LINKS BEFORE EVERY FLIGHT

THREAD TECHNICAL DATA**SAIL MAKING**

NAME	SERAFIL
N° OF REFERENCE	60
MATERIAL	POLYESTER
TYPE OF FINISH	SILK
LINEAR DENSITY	NM 61 / 3 (DTEX 163 * 3)
BREAKING STRENGTH	3,000 CN
ELONGATION	17,00%

SERAFIL PROPERTIES

SOLIDITY ARTIFICIAL LIGTH	ISO 105 B02 > 5 - 6
SOLIDITY SWEAT	ISO 105 E04 > 4
SOLIDITY WASHING	ISO 105 C04 > 3
SOLIDITY GRAZE IN DRY	ISO 105 X12 > 4
SOLIDITY WASHING IN DRY	ISO 105 D01 > 3 - 4

TREATMENT WATER REPELLENT	WR
---------------------------	----

RISERS MAKING

NAME	COATS BONDED C.F.P.
N° OF REFERENCE	V138
MATERIAL	POLYESTER
TYPE OF FINISH	SILK
BREAKING STRENGTH	9,5 kg
ELONGATION	19%

RISERS TECHNICAL DATA**RISERS**

N° OF REFERENCE	G-R 22
MATERIAL	POLYESTER
WIDTH	22 m/m
THICKNESS	1,52 m/m
BREAKING STRENGTH	1,100 DAN
ELONGATION	MAX. 15%
WEIGHT	25 g* L.M.
COLOUR	BLACK

COLOR INDICATOR

N° OF REFERENCE	IC-G 1-2
MATERIAL	POLYESTER
WIDTH	70 m/m
THICKNESS	0,80 m/m
BREAKING STRENGTH	130 DN
ELONGATION	35 %
WEIGHT	32 g* L.M.
COLOUR	GREEN

LOOPS

N° OF REFERENCE	LKI - 10
MATERIAL	NYLON
WIDTH	10 m/m
BREAKING STRENGTH	84 kg
ELONGATION	30 %
WEIGHT	5,5 g/m
COLOUR	WHITE

