

TECHNICAL SPECIFICATIONS

SKATE 2

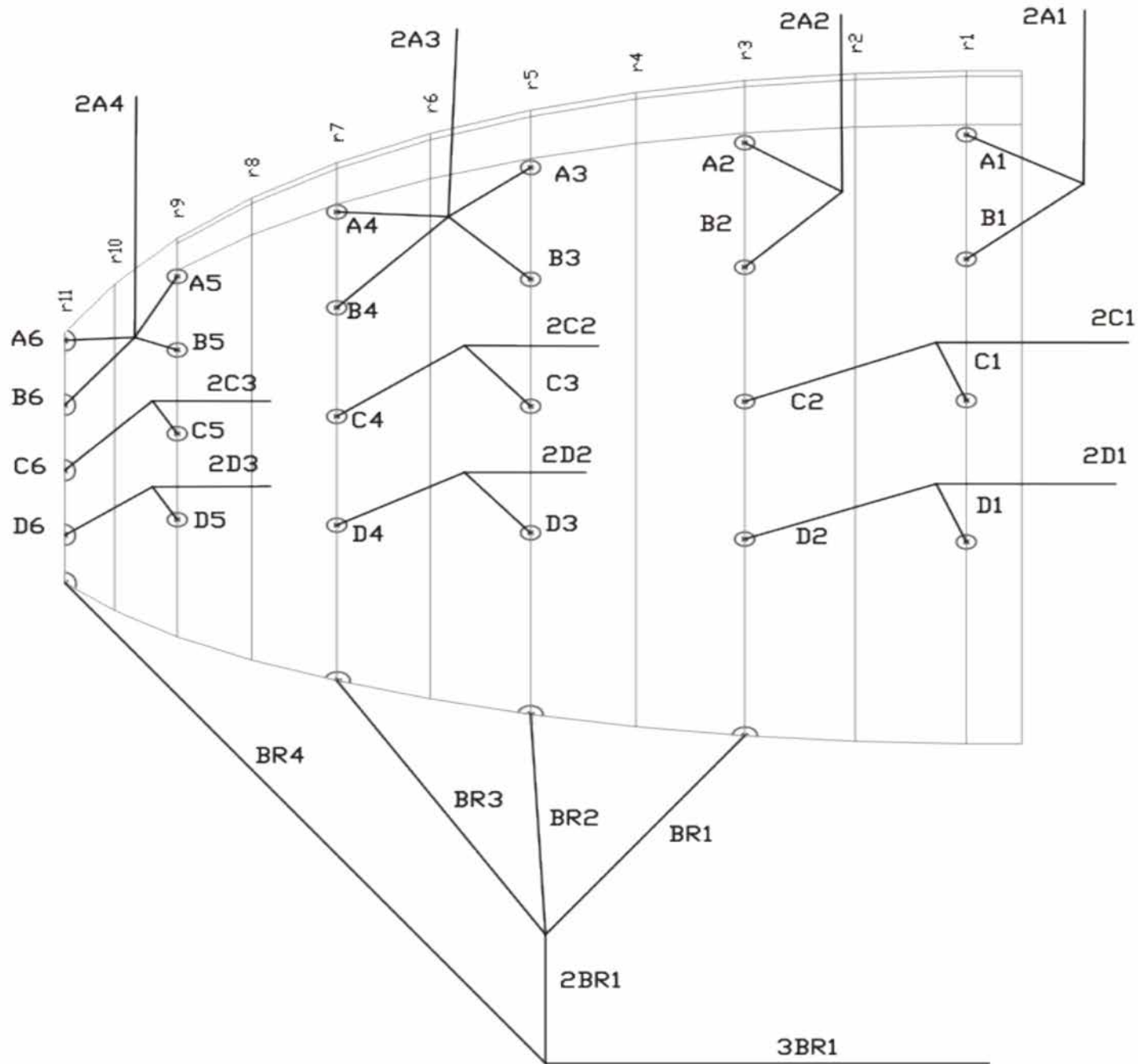


TECHNICAL DATA

SKATE 2		8	10	12	14	
CELLS	NUMBER	21	21	21	21	
	CLOSED	4	4	4	4	
	BOX	6	6	6	6	
FLAT	AREA	M2	8	10	12	14
	SPAM	M	4,88	5,29	5,8	6,26
	ASPECT RATIO		2,8	2,8	2,8	2,8
PROJECTED	AREA	M2	7,36	9,2	11	12,81
	SPAM		4,47	4,71	5,15	5,55
	ASPECT RATIO		2,4	2,4	2,4	2,4
FLATTENING		%	8	8	8	8
CORD	MAXIMUM		2,07	2,25	2,46	2,66
	MINIMUM		0,77	0,84	0,92	0,99
	AVERAGE		1,6	1,8	2,06	2,2
LINES	TOTAL METERS	M	100	109	119	129
	HEIGHT	M	2,82	3,06	3,35	3,62
	NUMBER		80	80	80	80
	MAIN		4/3/3	4/3/3	4/3/3	4/3/3
RISERS	NUMBER	3	A/B/C	A/B/C	A/B/C	A/B/C
	TRIMS	YES				
	ACCELERATOR		NO	NO	NO	NO
WING LOAD	MINIMUM	KG	6,25	5	4,1	3,5
	MAXIMUM	KG	13,1	11	9,5	8,5
GLIDER WEIGHT		KG	2,5	2,7	3	3,3
CERTIFICATION		EN	926-1	926-1	926-1	926-1

MATERIALS TECHNICAL DATA

CANOPY	FABRIC CODE	SUPPLIER
UPPER SURFACE	N30DMF	DOMINICO TEX CO (KOREA)
BOTTOM SURFACE	N30DMF	DOMINICO TEX CO (KOREA)
RIBS	30DFM	DOMINICO TEX CO (KOREA)
DIAGONALS	30DFM	DOMINICO TEX CO (KOREA)
LOOPS	LKI - 10	KOLON IND. (KOREA)
REINFORCEMENT LOOPS	W-420	D-P (GERMANY)
TRAILING EDGE REINFORCEMENT	MYLAR	D-P (GERMANY)
REINFORCEMENT RIBS	W-420	D-P (GERMANY)
THREAD	SERAFIL 60	AMAN (GERMANY)
SUSPENSION LINES	FABRIC CODE	SUPPLIER
UPPER CASCADES	TLU - 330	COUSIN (FRANCE)
MIDDLE CASCADES	TLU - 331	COUSIN (FRANCE)
MAIN	TLU - 550	COUSIN (FRANCE)
MAIN BREAK	TNL - 400	TEIJIM LIMITED (JAPAN)
THREAD	SERAFIL 60	AMAN (GERMANY)
RISERS	FABRIC CODE	SUPPLIER
MATERIAL	G-R 22	TECNI SANGLES (FRANCE)
COLOR INDICATOR	PAD	TECNI SANGLES (FRANCE)
THREAD	V138	COATS (ENGLAND)
MAILLONS	MRI4	ANSUNG PRECISION (KOREA)
PULLEYS	PY - 1304-2	ANSUNG PRECISION (KOREA)





SLOW POSITION:
· MINIMUM SPEED
· MAXIMUM GLIDE



NEUTRAL POSITION:
· IDEAL POSITION TO TAKE OFF



FAST POSITION:
· MAXIMUM SPEED



SKATE2 SCHOOL RISERS

SKATE2 TRIM RISERS

LINES TECHNICAL DATA

SKATE 2			8 MTS											
REF.	CODE	m/m	REF.	CODE	m/m	REF.	CODE	m/m	REF.	CODE	m/m	REF.	CODE	m/m
A			B			C			D			BRAKE		
A1	TLU-330-blue	980	B1	TLU-330-blue	1.020	C1	TLU-330-ylw	1.080	D1	TLU-330-ylw	1.090	br1	TLU-330-red	1.560
A2	TLU-330-blue	950	B2	TLU-330-blue	995	C2	TLU-330-ylw	1.070	D2	TLU-330-ylw	1.075	br2	TLU-330-red	1.455
A3	TLU-330-blue	1.090	B3	TLU-330-blue	1.120	C3	TLU-330-ylw	920	D3	TLU-330-ylw	935	br3	TLU-330-red	1.460
A4	TLU-330-blue	1.110	B3	TLU-330-blue	1.170	C4	TLU-330-ylw	950	D4	TLU-330-ylw	950	br4	TLU-330-red	1.905
A5	TLU-330-blue	885	B5	TLU-330-blue	930	C5	TLU-330-ylw	690	D5	TLU-330-ylw	670			
A6	TLU-330-blue	890	B6	TLU-330-blue	960	C6	TLU-330-ylw	690	D6	TLU-330-ylw	640			
2 A1	TLU-550 -blue	1740				2 C1	TLU-550-ylw	1.765	2 D1	TLU-550-ylw	1.905	2 br1	TLU-330-red	605
2 A2	TLU-550 -blue	1755				2 C2	TLU-550-ylw	1.920	2 D2	TLU-550-ylw	2.040			
2 A3	TLU-550 -blue	1640				2 C3	TLU-550-ylw	2.170	2 D3	TLU-550-ylw	2.280			
2 A4	TLU-550 -blue	1875												
												3 br1	TNL-400-RED	1.425
													Point a:	1.225

LINES TECHNICAL DATA

SKATE 2			10 MTS											
REF.	CODE	m/m	REF.	CODE	m/m	REF.	CODE	m/m	REF.	CODE	m/m	REF.	CODE	m/m
A			B			C			D			BRAKE		
A1	TLU-330-blue	1.060	B1	TLU-330-blue	1.110	C1	TLU-330-ylw	1.175	D1	TLU-330-ylw	1.185	br1	TLU-330-red	1.690
A2	TLU-330-blue	1.030	B2	TLU-330-blue	1.080	C2	TLU-330-ylw	1.160	D2	TLU-330-ylw	1.165	br2	TLU-330-red	1.580
A3	TLU-330-blue	1.180	B3	TLU-330-blue	1.220	C3	TLU-330-ylw	1.000	D3	TLU-330-ylw	1.020	br3	TLU-330-red	1.585
A4	TLU-330-blue	1.205	B3	TLU-330-blue	1.270	C4	TLU-330-ylw	1.030	D4	TLU-330-ylw	1.030	br4	TLU-330-red	2.070
A5	TLU-330-blue	965	B5	TLU-330-blue	1.010	C5	TLU-330-ylw	750	D5	TLU-330-ylw	725			
A6	TLU-330-blue	965	B6	TLU-330-blue	1.040	C6	TLU-330-ylw	750	D6	TLU-330-ylw	695			
2 A1	TLU-550 -blue	1885				2 C1	TLU-550-ylw	1.910	2 D1	TLU-550-ylw	2.060	2 br1	TLU-330-red	655
2 A2	TLU-550 -blue	1900				2 C2	TLU-550-ylw	2.075	2 D2	TLU-550-ylw	2.200			
2 A3	TLU-550 -blue	1775				2 C3	TLU-550-ylw	2.345	2 D3	TLU-550-ylw	2.465			
2 A4	TLU-550 -blue	2030												
												3 br1	TNL-400-RED	1.540
													Point a:	1.340

LINES TECHNICAL DATA

SKATE 2			12 MTS											
REF.	CODE	m/m	REF.	CODE	m/m	REF.	CODE	m/m	REF.	CODE	m/m	REF.	CODE	m/m
A			B			C			D			BRAKE		
A1	TLU-330-blue	1.165	B1	TLU-330-blue	1.215	C1	TLU-330-ylw	1.285	D1	TLU-330-ylw	1.295	br1	TLU-330-red	1.850
A2	TLU-330-blue	1.130	B2	TLU-330-blue	1.180	C2	TLU-330-ylw	1.270	D2	TLU-330-ylw	1.275	br2	TLU-330-red	1.720
A3	TLU-330-blue	1.295	B3	TLU-330-blue	1.335	C3	TLU-330-ylw	1.095	D3	TLU-330-ylw	1.115	br3	TLU-330-red	1.735
A4	TLU-330-blue	1.320	B3	TLU-330-blue	1.390	C4	TLU-330-ylw	1.130	D4	TLU-330-ylw	1.130	br4	TLU-330-red	2.260
A5	TLU-330-blue	1.055	B5	TLU-330-blue	1.105	C5	TLU-330-ylw	825	D5	TLU-330-ylw	795			
A6	TLU-330-blue	1.060	B6	TLU-330-blue	1.140	C6	TLU-330-ylw	820	D6	TLU-330-ylw	760			
2 A1	TLU-550 -blue	2070				2 C1	TLU-550-ylw	2.095	2 D1	TLU-550-ylw	2.260	2 br1	TLU-330-red	725
2 A2	TLU-550 -blue	2085				2 C2	TLU-550-ylw	2.280	2 D2	TLU-550-ylw	2.415			
2 A3	TLU-550 -blue	1950				2 C3	TLU-550-ylw	2.575	2 D3	TLU-550-ylw	2.705			
2 A4	TLU-550 -blue	2225												
												3 br1	TNL-400-RED	1.665
													Point a:	1.465

LINES TECHNICAL DATA

SKATE 2			14 MTS											
REF.	CODE	m/m	REF.	CODE	m/m	REF.	CODE	m/m	REF.	CODE	m/m	REF.	CODE	m/m
A			B			C			D			BRAKE		
A1	TLU-330-blue	1.255	B1	TLU-330-blue	1.310	C1	TLU-330-ylw	1.390	D1	TLU-330-ylw	1.400	br1	TLU-330-red	2.000
A2	TLU-330-blue	1.220	B2	TLU-330-blue	1.275	C2	TLU-330-ylw	1.375	D2	TLU-330-ylw	1.380	br2	TLU-330-red	1.870
A3	TLU-330-blue	1.400	B3	TLU-330-blue	1.440	C3	TLU-330-ylw	1.180	D3	TLU-330-ylw	1.205	br3	TLU-330-red	1.875
A4	TLU-330-blue	1.430	B3	TLU-330-blue	1.500	C4	TLU-330-ylw	1.220	D4	TLU-330-ylw	1.220	br4	TLU-330-red	2.450
A5	TLU-330-blue	1.140	B5	TLU-330-blue	1.195	C5	TLU-330-ylw	890	D5	TLU-330-ylw	860			
A6	TLU-330-blue	1.145	B6	TLU-330-blue	1.235	C6	TLU-330-ylw	885	D6	TLU-330-ylw	825			
2 A1	TLU-550 -blue	2235				2 C1	TLU-550-ylw	2.265	2 D1	TLU-550-ylw	2.445	2 br1	TLU-330-red	775
2 A2	TLU-550 -blue	2250				2 C2	TLU-550-ylw	2.465	2 D2	TLU-550-ylw	2.615			
2 A3	TLU-550 -blue	2105				2 C3	TLU-550-ylw	2.785	2 D3	TLU-550-ylw	2.925			
2 A4	TLU-550 -blue	2405												
												3 br1	TNL-400-RED	1.780
													Point a:	1.580

NIVIUK SKATE 2 8mts

LINES HEIGHT m/m					
	A	B	C	D	br
1	2720	2760	2845	2995	3390
2	2705	2750	2835	2980	3285
3	2730	2760	2840	2975	3290
4	2750	2810	2870	2990	3130
5	2760	2805	2860	2950	
6	2765	2835	2860	2920	

RISERS LENGHT m/m				
	A	C	D	
	490	450	420	SLOW
	490	490	490	NEUTRAL
	490	540	590	FAST

NIVIUK SKATE 2 12mts

LINES HEIGHT m/m					
	A	B	C	D	br
1	3235	3285	3380	3555	4040
2	3215	3265	3365	3535	3910
3	3245	3285	3375	3530	3925
4	3270	3345	3410	3545	3725
5	3280	3330	3400	3500	
6	3285	3365	3395	3465	

RISERS LENGHT m/m				
	A	C	D	
	490	450	420	SLOW
	490	490	490	NEUTRAL
	490	540	590	FAST

NIVIUK SKATE 2 10mts

LINES HEIGHT m/m					
	A	B	C	D	br
1	2945	2995	3085	3245	3685
2	2930	2980	3070	3225	3575
3	2955	2995	3075	3220	3580
4	2980	3045	3105	3230	3410
5	2995	3040	3095	3190	
6	2995	3070	3095	3160	

RISERS LENGHT m/m				
	A	C	D	
	490	450	420	SLOW
	490	490	490	NEUTRAL
	490	540	590	FAST

NIVIUK SKATE 2 14mts

LINES HEIGHT m/m					
	A	B	C	D	br
1	3490	3545	3655	3845	4355
2	3470	3525	3640	3825	4225
3	3505	3545	3645	3820	4230
4	3535	3605	3685	3535	4030
5	3545	3600	3675	3785	
6	3550	3640	3670	3750	

RISERS LENGHT m/m				
	A	C	D	
	490	450	420	SLOW
	490	490	490	NEUTRAL
	490	540	590	FAST

SUSPENSION TECHNICAL

SKATE 2

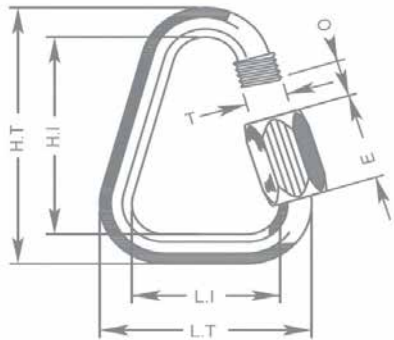
MATERIAL CODE		TLU-16650	TLU-12999	TNL
STRENGTH CODE		330	550	400
DIAMETER m/m	ø	1,6	1,9	2,3
CORE MATERIAL		DYNEEMA	DYNEEMA	TECHNORA
SLEEVE MATERIAL		NO	NO	POLYESTER
WEIGHT G/M	TOTAL	1,51	2,3	4
BREAKING STRENGTH	MINIMUM	300	500	460
	MAXIMUM	330	550	470
STRENGTH AFTER				
5.000 BENDING	TEST EN	246	487	160,1
CYCLES				
ELONGATION AT	5 daN en %	0,1	0,1	0,05
	10 daN en %	0,2	0,15	0,1
	15 daN en %	0,3	0,2	0,2
	20 daN en %	0,4	0,3	0,2
	25 daN en %	0,45	0,4	0,3
	30 daN en %	0,8	0,5	0,6
	75 daN en %	1,2	0,6	0,8
	100 daN en %	0,5	0,8	1,1
	125 daN en %	0,8	0,9	1,4
	150 daN en %	2,2	1,1	1,7
	175 daN en %	2,5	1,3	2
	200 daN en %	2,7	1,4	2,2
	250 daN en %	3	1,5	
ELONGATION MAX. BREAKING STRENGTH %			43,3	4,6

MAILLON & PULLEY TECHNICAL DATA

DESCRIPTION

MAILLON	DELTA
CODE	MRI4
MATERIAL	STAINLESS STEEL
SIZE	4,3 m/m
WEIGHT	12 G/PIECE

TECHNICAL SPECIFICATIONS



DIMENSIONES	m/m
L.T.	28
L.I.	20
H.T.	38
H.I.	30
O	4
E	11
T	4
CHARGE	KG
UTILE	150
RUPTURE	750

AISI 304 STAINLESS STEEL

STANDARD

CLOSING APPLIED BY MANUAL & ENTIRE SCREWING OF THE NUT
TO GUARANTEE THE HIGHEST SAFETY (NO THREAD SHOULD BE OBVIOUS)

SYSTEMATIC CONTROL OF MAILLON QUICK-LINKS BEFORE EVERY FLIGHT

THREAD TECHNICAL DATA

SAIL MAKING

NAME	SERAFIL
N° OF REFERENCE	60
MATERIAL	POLYESTER
TYPE OF FINISH	SILK
LINEAR DENSITY	NM 61 / 3 (DTEX 163 * 3)
BREAKING STRENGTH	3,000 CN
ELONGATION	17,00%

SERAFIL PROPERTIES

SOLIDITY ARTIFICIAL LIGTH	ISO 105 B02 > 5 - 6
SOLIDITY SWEAT	ISO 105 E04 > 4
SOLIDITY WASHING	ISO 105 C04 > 3
SOLIDITY GRAZE IN DRY	ISO 105 X12 > 4
SOLIDITY WASHING IN DRY	ISO 105 D01 > 3 - 4
TREATMENT WATER REPELLENT	WR

RISERS MAKING

NAME	COATS BONDED C.F.P.
N° OF REFERENCE	V138
MATERIAL	POLYESTER
TYPE OF FINISH	SILK
BREAKING STRENGTH	9,5 KG
ELONGATION	19%

RISERS TECHNICAL DATA**RISERS**

N° OF REFERENCE	G-R 22
MATERIAL	POLYESTER
WIDTH	22 M/M
THICKNESS	1,52 M/M
BREAKING STRENGTH	1,100DAN
ELONGATION	MAX. 15%
WEIGHT	25 G* L.M.
COLOR	BLACK

COLOR INDICATOR

N° OF REFERENCE	IC-G 1-2
MATERIAL	POLYESTER
WIDTH	70 M/M
THICKNESS	0,80 M/M
BREAKING STRENGTH	130 DN
ELONGATION	35 %
WEIGHT	32 G * L.M.
COLOR	GREEN

LOOPS

N° OF REFERENCE	LKI - 10
MATERIAL	NYLON
WIDTH	10 M/M
BREAKING STRENGTH	84 KG
ELONGATION	30 %
WEIGHT	5,5 G/M
COLOR	WHITE

